



**Dynaslide Ball Bearing Slides**



**Repon Ball Bearing Slides**



**Specialty Slides**



**Pocket Door Slides**



**Slide Accessories**

# Quality

- ▶ a must for every distributor
- ▶ a must for every cabinet, closet and furniture manufacturer - only the best will do.
- ▶ a basic for U.S.Futaba, Inc.
- ▶ we go all over the world
- ▶ we find it at home in the U.S.
- ▶ we supply you with the best!

# + Availability

- ▶ **you want it now!**  
most of the items you see in our catalogs are available from stock!
- ▶ **out of stock!**  
amazing how fast we will replenish to serve your needs!

# + Service

- ▶ means more to us than just shipping merchandise.
- ▶ means that we are available to answer your technical questions by phone, fax, e-mail or a visit.
- ▶ means that if you place your order before noon - we ship the same day.
- ▶ means we want to know your ideas - so we can help you build a bestseller.

# = U.S. Futaba, Inc.

- ▶ means we are a business partner you can rely on!

...or just come and see us sometime.  
**Our regular business hours are from 7:30 am to 5 pm Monday through Friday.**

We make it a point, however, to be available at times that are convenient for you - a call is all it takes!



**Dynaslide Ball Bearing Slides**

10341 04	35 Lb Light Duty Center Mount Ball Bearing Slide	4
10311 04	3/4 Extension 75 Lb Medium Duty Ball Bearing Slide	5
10315 04	Full Extension 75 Lb Medium Duty Ball Bearing Slide	6
10416 04	100 Lb Medium Duty Ball Bearing Slide	7
10415 56	100 Lb Medium Duty Stainless Steel Ball Bearing Slide	8
10517 04	200 Lb Heavy Duty Ball Bearing Slide	10
10617 04	500 Lb Heavy Duty Ball Bearing Slide	11
10331 04	Light Duty Keyboard Slide (Fixed Height)	12
10331 04	Light Duty Adjustable Height Keyboard Slide	13
10331 04	Light Duty Adjustable Height Pencil Drawer Slide	14



**Repon Ball Bearing Slides**

11416 04	100 Lb Medium Duty Ball Bearing Slide	15
11616 04	150 Lb Lateral File Ball Bearing Slide	16
11617 04	200 Lb Heavy Duty Ball Bearing Slide with Mounting Brackets	17



**Specialty Slides**

12415 04	100 Lb Medium Duty Self Closing Ball Bearing Slide	18
12414 04	Full-Extension Soft-Closing Ball Bearing Slide	19
12415 04	Touch to Open Ball Bearing Slide	20



**Pocket Door Slides**

10352 01	Economy Pocket Door Ball Bearing Slide	21
----------	--	----



**Slide Accessories**

13999 00 080	Cable System B-Quick	22
13899 00 083	Ball Bearing Roller	23
13899 29 078	Pocket Door Roller	23
13159 04 082	Face Frame Rear Mounting Bracket	23

**Appendix**

Glossary of Terms	24
Conversion Table	25

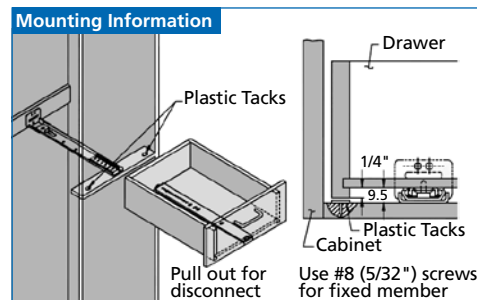


**Features**

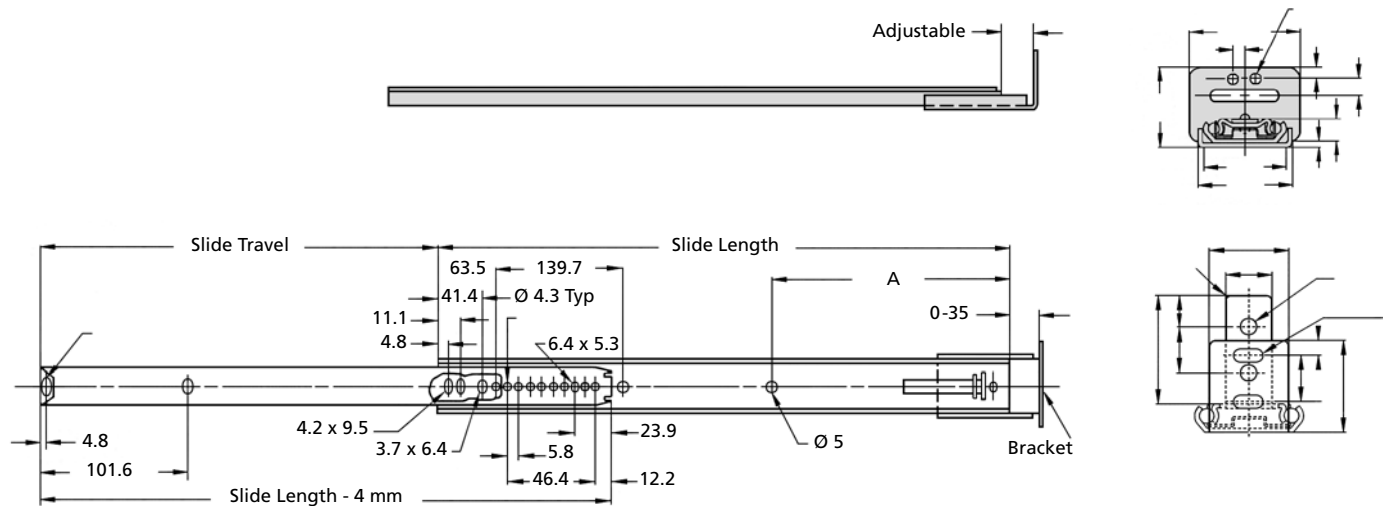
- ▶ 3/4 extension
- ▶ Center mount
- ▶ Adjustment: 1-3/8"
- ▶ Load rating: 35 lbs (all lengths)
- ▶ Electro zinc finish (black available)
- ▶ Lengths: 12" – 24"
- ▶ Packaging: 40 pieces per carton
- ▶ Friction disconnect
- ▶ Stay closed
- ▶ Rear mounting bracket to adjust to cabinet depth
- ▶ Turn down bracket available

**Applications**

- ▶ Bedroom furniture
- ▶ Bathroom cabinets
- ▶ Kitchen cabinets



**Dimensions**



Item-No.	Length		Travel		A		Drawer Length		Cabinet Depth		Load	
	Inches	mm	Inches	mm	Inches	mm	Inches	mm	Inches	mm	lbs	kg
10341 04 060	12-3/4	324	8-7/8	224			10-5/8 - 12-1/2	270 - 318	13 - 14-1/2	270 - 318	33	15
10341 04 061	14-3/4	375	10-5/8	271			12-5/8 - 14-1/2	321 - 368	15 - 16-1/2	321 - 368	33	15
10341 04 064	16-3/4	425	12-3/16	310			14-5/8 - 16-1/2	372 - 419	17 - 18-1/2	372 - 419	33	15
10341 04 065	18-3/4	476	12-9/16	320	8-7/16	214	16-5/8 - 18-1/2	422 - 470	19 - 20-1/2	422 - 470	33	15
10341 04 066	20-3/4	527	15-1/2	393	8-7/16	214	18-5/8 - 20-1/2	473 - 521	21 - 22-1/2	473 - 521	33	15
10341 04 067	22-3/4	578	16-11/16	424	8-7/16	214	20-5/8 - 22-1/2	524 - 572	23 - 24-1/2	524 - 572	33	15
10341 04 068	24-3/4	629	17-11/16	450	8-7/16	214	22-5/8 - 24-1/2	575 - 622	25 - 26-1/2	575 - 622	33	15

West: toll free (800) 821-4007 · fax (714) 751-2366 · sales@usfutaba.com

3611



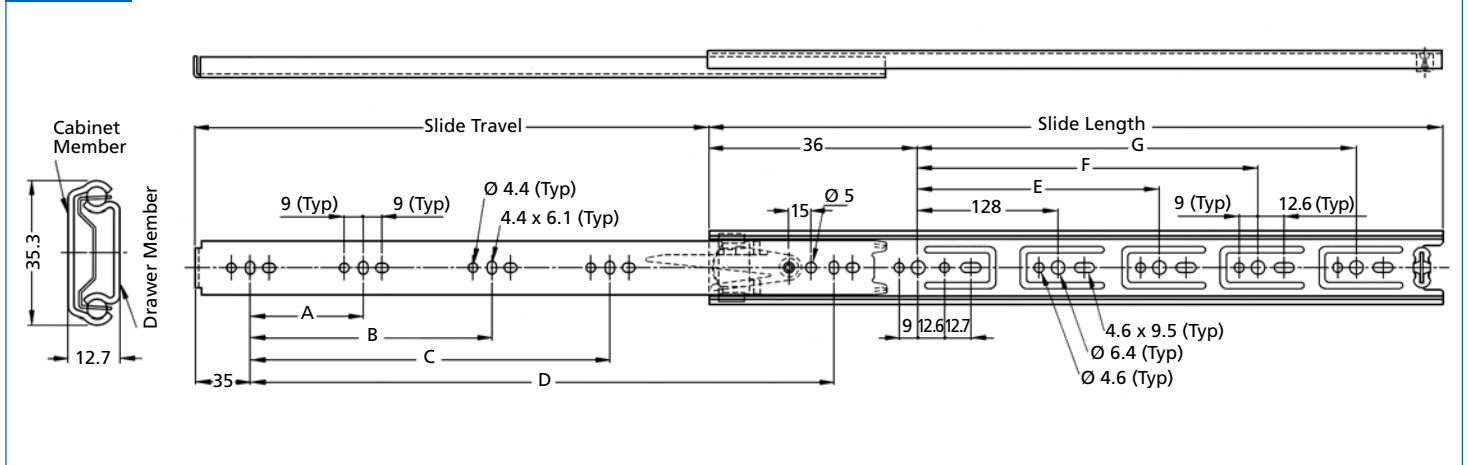
**Features**

- ▶ 3/4 extension
- ▶ Side mount
- ▶ Height: 1-3/8" (35.3 mm)
- ▶ Side spacing: 1/2" (12.7 mm)
- ▶ Load rating: 75 lbs (18" length)
- ▶ Electro zinc finish (black available)
- ▶ Lengths: 12" – 28"
- ▶ Packaging: 20 pair per carton
- ▶ Detent – in closed position
- ▶ Hold – in detent
- ▶ Trigger release disconnect
- ▶ Bayonet mounting available

**Applications**

- ▶ Bedroom furniture
- ▶ Office furniture
- ▶ Box drawers

**Dimensions**



10311 04	Length		Travel		A		B		C		D		E		F		G		Load	
Item-No.	Inches	mm	Inches	mm	Inches	mm	Inches	mm	Inches	mm	Inches	mm	Inches	mm	Inches	mm	Inches	mm	lbs	kg
10311 04 002	10	250	6	153							7-3/16	183							94	43
10311 04 003	12	300	8-1/16	205							9-3/16	233	8-13/16	244					90	41
10311 04 004	14	350	9	255	5	128					11-1/8	283	8-13/16	244					85	39
10311 04 005	16	400	11-13/16	300	5	128					13-1/8	333	8-13/16	244	12-5/8	320			79	36
10311 04 006	18	450	13-5/16	338	5	128	8-13/16	224			15-1/16	383	8-13/16	244	13-7/8	352			74	34
10311 04 007	20	500	14-3/4	375	5	128	10-1/16	256			17	433	8-13/16	244	16-3/8	416			70	32
10311 04 008	22	550	16-1/4	413	5	128	11-3/8	288			19	483	8-13/16	244	13-7/8	352	17-5/8	448	66	30
10311 04 009	24	600	17-11/16	450	5	128	12-5/8	320			21	533	8-13/16	244	13-7/8	352	18-7/8	480	59	27
10311 04 010	26	650	19-1/4	488	5	128	8-13/16	224	13-7/8	352	22-15/16	583	8-13/16	244	13-7/8	352	21-7/16	544	55	25
10311 04 011	28	700	20-5/8	525	5	128	11-3/8	288	16-3/8	416	24-15/16	633	8-13/16	244	13-7/8	352	21-7/16	544	50	23



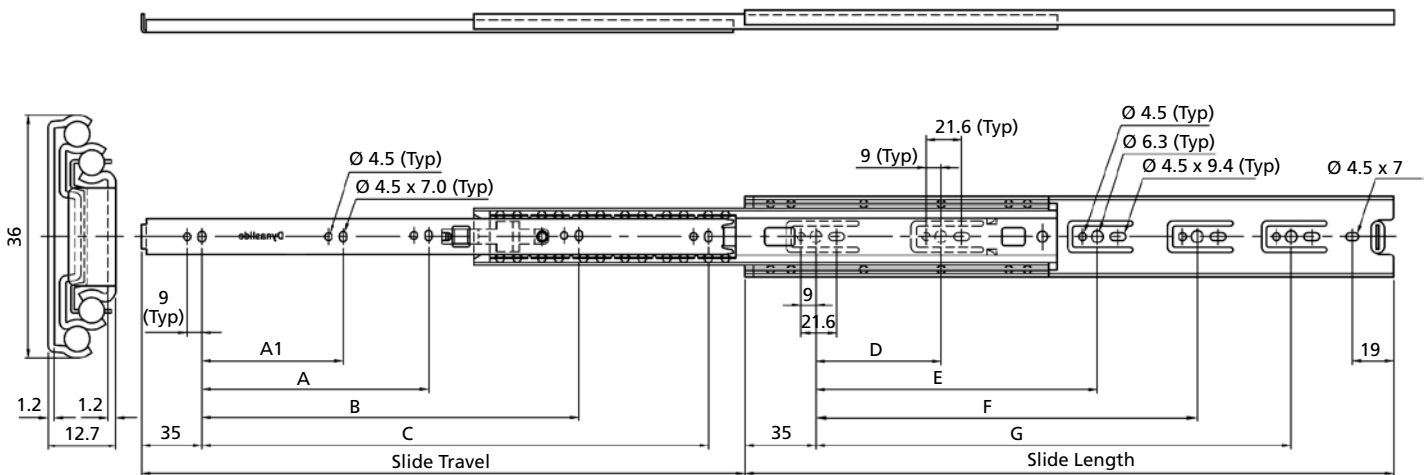
Features

- ▶ Full extension
- ▶ Side mount
- ▶ Height: 1-7/16" (36 mm)
- ▶ Side spacing: 1/2" (12.7 mm)
- ▶ Load rating: 75 lbs (18" length)
- ▶ Electro zinc finish (black available)
- ▶ Lengths: 10" – 24"
- ▶ Packaging: 20 pair per carton
- ▶ Latch release design
- ▶ Face frame hole
- ▶ Screw mounting system 32 mm compatible

Applications

- ▶ Bedroom / Juvenile furniture
- ▶ Office furniture
- ▶ Box drawers

Dimensions



10315 04	Length		Travel		A1		A		B		C		D		E		F		G		Load	
Item-No.	Inches	mm	Inches	mm	Inches	mm	Inches	mm	Inches	mm	Inches	mm	Inches	mm	Inches	mm	Inches	mm	Inches	mm	lbs	kg
10315 04 029	10	250	10	254							7-9/16	192	5	128							55	25
10315 04 030	12	300	12	305							9-1/2	242	5	128							81	37
10315 04 031	14	350	14	356	5	128					11-1/2	292	5	128	8-7/8	224					86	39
10315 04 032	16	400	16	406	5	128			12-9/16	320	13-1/2	342	5	128	8-7/8	224	12-9/16	320			79	36
10315 04 033	18	450	18	457	5	128			12-9/16	320	15-7/16	392	5	128	8-7/8	224	13-7/8	352			75	34
10315 04 034	20	500	20	508	5	128	7-9/16	192	13-7/8	352	17-3/8	442	8-7/8	224	8-7/8	224	16-3/8	416			70	32
10315 04 035	22	550	22	559	5	128	8-7/8	224	16-3/8	416	19-3/8	492	8-7/8	224	8-7/8	224	13-7/8	352	17-5/8	448	66	30
10315 04 036	24	600	24	610	5	128	8-7/8	224	16-3/8	416	21-3/8	542	8-7/8	224	8-7/8	224	13-7/8	352	18-7/8	480	59	27

West: toll free (800) 821-4007 · fax (714) 751-2366 · sales@usfutaba.com

4634



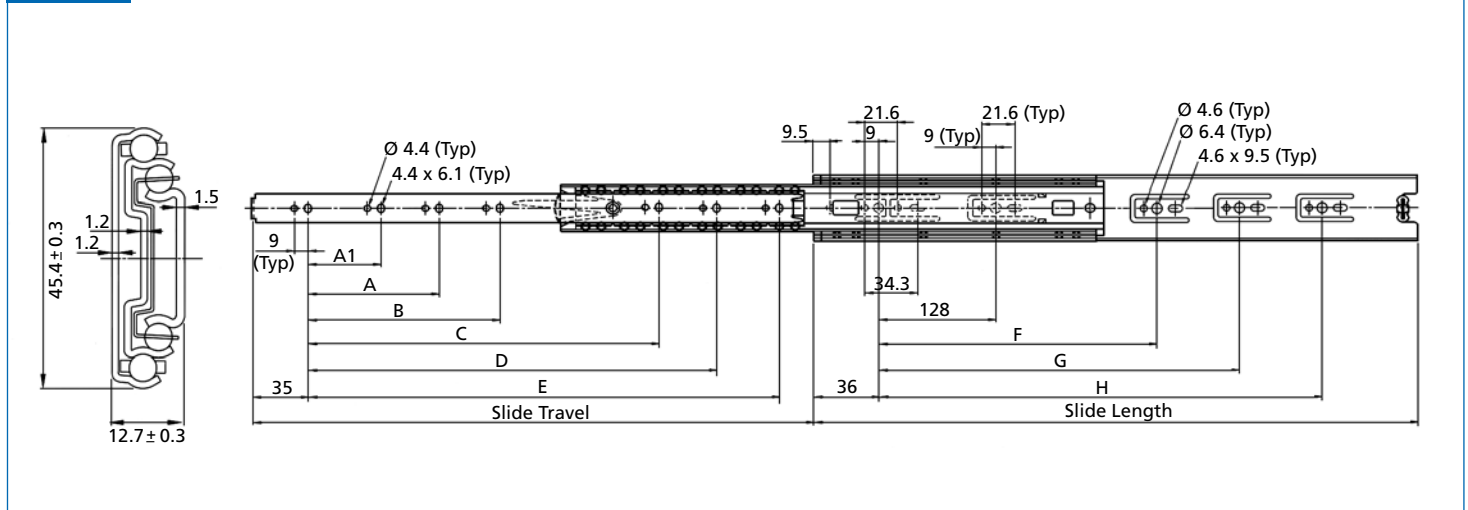
Features

- ▶ 1" over travel
- ▶ Side mount
- ▶ Height: 1-13/16" (45.4 mm)
- ▶ Side spacing: 1/2" (12.7 mm)
- ▶ Load rating: 100 lbs (22" length)
- ▶ Electro zinc finish (black available)
- ▶ Lengths: 10" – 28"
- ▶ Packaging:
  - 10" – 16" 20 pair per carton
  - 18" – 28" 10 pair per carton
- ▶ Patented Butterfly Release for easy disconnect
- ▶ Ball retainer detent for easy drawer re-install
- ▶ Hold-in detent
- ▶ Screw mounting system 32 mm compatible
- ▶ Bayonet mounting system available for metal enclosures
- ▶ Sockets for face frame application available

Applications

- ▶ Bedroom / Juvenile furniture
- ▶ Office furniture
- ▶ Kitchen cabinets
- ▶ Tool boxes

Dimensions



Item-No.	Length Inches	Length mm	Travel Inches	Travel mm	A1 Inches	A1 mm	A Inches	A mm	B Inches	B mm	C Inches	C mm	D Inches	D mm	E Inches	E mm	F Inches	F mm	G Inches	G mm	H Inches	H mm	Load lbs	Load kg
10416 04 124	10	250	10	254											7-9/16	192							120	54
10416 04 025	12	300	12	305											9-1/2	242	8-7/8	224					115	52
10416 04 116	14	350	14	356	5	128									11-1/2	292	8-7/8	224					110	49
10416 04 117	16	400	16	406	5	128			12-9/16	320					13-1/2	342	8-7/8	224	12-9/16	320			105	47
10416 04 118	18	450	18	457	5	128			12-9/16	320					15-7/16	392	8-7/8	224	13-7/8	352			100	45
10416 04 119	20	500	20	508	5	128	7-9/16	192	12-9/16	320					17-3/8	442	8-7/8	224	16-3/16	416			100	45
10416 04 120	22	550	22	559	5	128	8-7/8	224			16-3/8	416			19-3/8	492	8-7/8	224	13-7/8	352	17-5/8	448	100	45
10416 04 121	24	600	24	610	5	128	8-7/8	224			16-3/8	416			21-3/8	544	8-7/8	224	13-7/8	352	18-7/8	480	85	38
10416 04 122	26	650	26	660	5	128	8-7/8	224			16-3/8	416	21-3/8	544	23-1/4	592	8-7/8	224	13-7/8	352	21-3/8	544	80	36
10416 04 123	28	700	28	711	5	128	8-7/8	224	11-3/8	288	16-3/8	416	21-3/8	544	25-1/4	642	8-7/8	224	13-7/8	352	21-3/8	544	75	34



Features

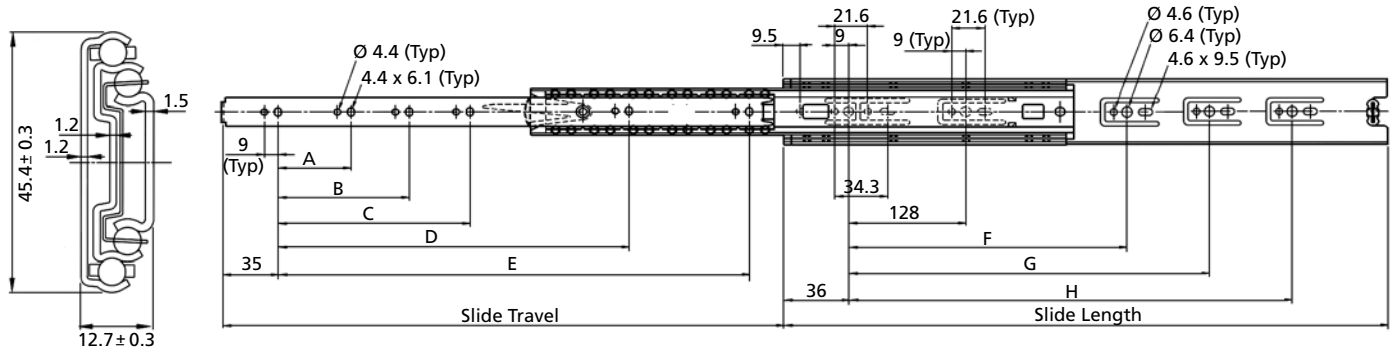
- ▶ Full extension
- ▶ Side mount
- ▶ Height: 1-13/16" (45.5 mm)
- ▶ Side spacing: 1/2" (12.7 mm)
- ▶ Load rating: 100 lbs (18" length)
- ▶ 304 Stainless Steel
- ▶ High corrosion resistance
- ▶ ROHS Compliant
- ▶ Lengths: 10" – 24"  
(Special order lengths available)
- ▶ Packaging: 10 pair per carton

- ▶ Patented Butterfly Release for easy disconnect
- ▶ Ball retainer detent for easy drawer re-install
- ▶ Hold-in detent
- ▶ Screw mounting system  
32 mm compatible
- ▶ Bayonet mounting system available for metal enclosures
- ▶ Sockets for face frame application available

Applications

- ▶ Outdoor Kitchens & Furniture
- ▶ BBQ grill
- ▶ Restaurant equipment
- ▶ Appliances
- ▶ Vending Machines
- ▶ Marine & Boat furniture
- ▶ Hospitals

Dimensions



10415 56	Length		Travel		A		B		C		D		E		F		G		H		Load	
Item-No.	Inches	mm	Inches	mm	Inches	mm	Inches	mm	Inches	mm	Inches	mm	Inches	mm	Inches	mm	Inches	mm	Inches	mm	lbs	kg
10415 56 174	14	350	14	356	5	128							11-1/2	292	8-7/8	224					110	49
10415 56 175	16	400	16	406	5	128			12-9/16	320			13-1/2	342	8-7/8	224	12-9/16	320			105	47
10415 56 176	18	450	18	457	5	128			12-9/16	320			15-7/16	392	8-7/8	224	13-7/8	352			100	45
10415 56 177	20	500	20	508	5	128	7-9/16	192	12-9/16	320			17-3/8	442	8-7/8	224	16-3/16	416			100	45
10415 56 178	22	550	22	559	5	128	8-7/8	224			16-3/8	416	19-3/8	492	8-7/8	224	13-7/8	352	17-5/8	448	100	45

West: toll free (800) 821-4007 · fax (714) 751-2366 · sales@usfutaba.com



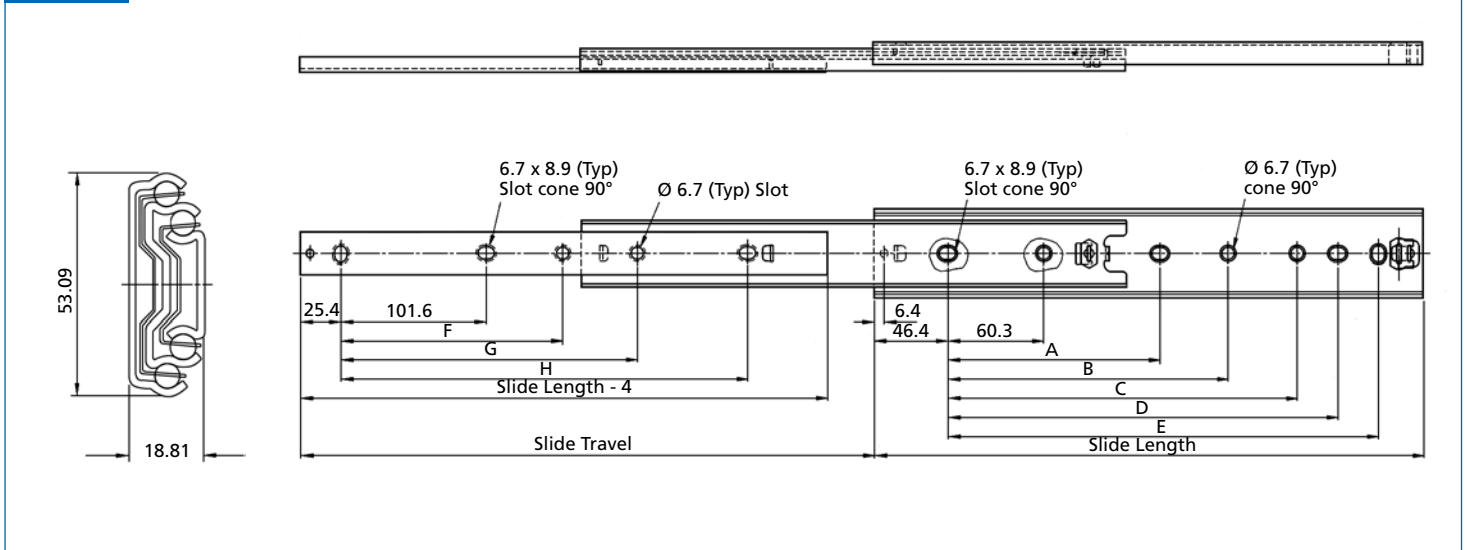
Features

- ▶ 1" over travel
- ▶ Side mount
- ▶ Height: 2-1/8" (53.09 mm)
- ▶ Side spacing: 3/4" (18.81 mm)
- ▶ Load rating: 200 lbs (18" length)
- ▶ Electro zinc finish (black available)
- ▶ Lengths: 12" – 28"
- ▶ Packaging:
  - 12" – 16" 8 pair per carton
  - 18" – 24" 6 pair per carton
  - 26" – 28" 4 pair per carton
- ▶ Non-disconnect
- ▶ Positive detent out
- ▶ Non-handed
- ▶ Two stage detent function

Applications

- ▶ Electronic enclosures
- ▶ Lateral files
- ▶ Truck bodies
- ▶ Tool boxes

Dimensions



10517 04	Length		Travel		A		B		C		D		E		F		G		H		Load	
Item-No.	Inches	mm	Inches	mm	Inches	mm	Inches	mm	Inches	mm	Inches	mm	Inches	mm	Inches	mm	Inches	mm	Inches	mm	lbs	kg
10517 04 140	12	300	13	330			5-7/16	135	7	179	8	205	9	230					9	229	218	99
10517 04 132	14	350	15	381			7-7/16	186	9	230	10	255	11	281			8-1/8	207	11	279	209	95
10517 04 126	16	400	17	432			9-7/16	237	11	281	12	306	13	332			10-1/8	257	13	330	212	96
10517 04 127	18	450	19	483	7-1/2	191	11-7/16	288	13	332	14	357	15	382			12-1/8	308	15	381	198	90
10517 04 128	20	500	21	533	8-1/2	216	13-7/16	339	15	382	16	408	17	433	8	203	14-1/8	359	17	432	192	87
10517 04 129	22	550	23	584	9-1/2	241	15-7/16	389	17	433	18	459	19	484	9	229	16-1/8	410	19	483	183	83
10517 04 137	24	600	25	635	10-1/2	267	17-7/16	440	19	484	20	509	21	535	10	254	18-1/8	461	21	533	172	78
10517 04 138	26	650	27	686	11-1/2	292	19-7/16	491	21	535	22	560	23	586	11	279	20-1/8	511	23	584	159	72
10517 04 130	28	700	29	737	12-1/2	318	21-7/16	542	23	586	24	611	25	636	12	305	22-1/8	562	25	635	143	65

West: toll free (800) 821-4007 · fax (714) 751-2366 · sales@usfutaba.com

35501



**Features**

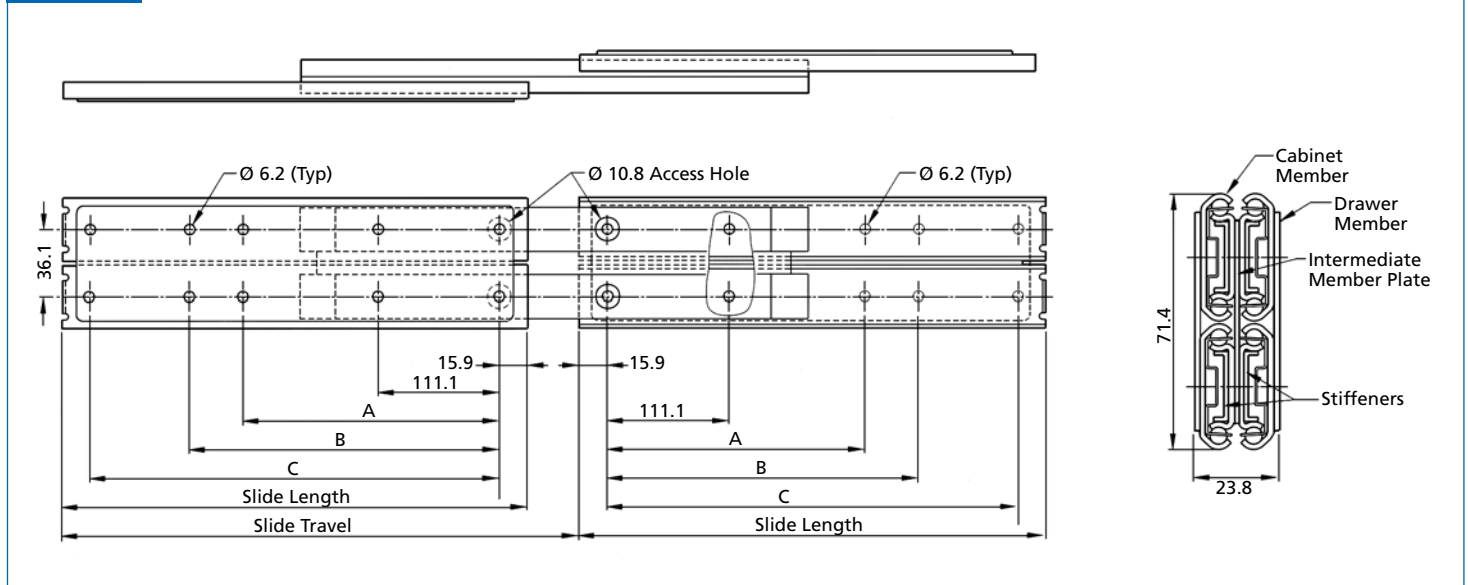
- ▶ Full extension
- ▶ Side mount
- ▶ Height: 2-13/16" (71.4 mm)
- ▶ Side spacing: 15/16" (23.8 mm)
- ▶ Load rating: 500 lbs (18" length)
- ▶ Electro zinc finish (black available)

- ▶ Lengths: 14" – 28"
- ▶ Packaging: 4 pair per carton
- ▶ Designed with built in stiffeners for smooth action

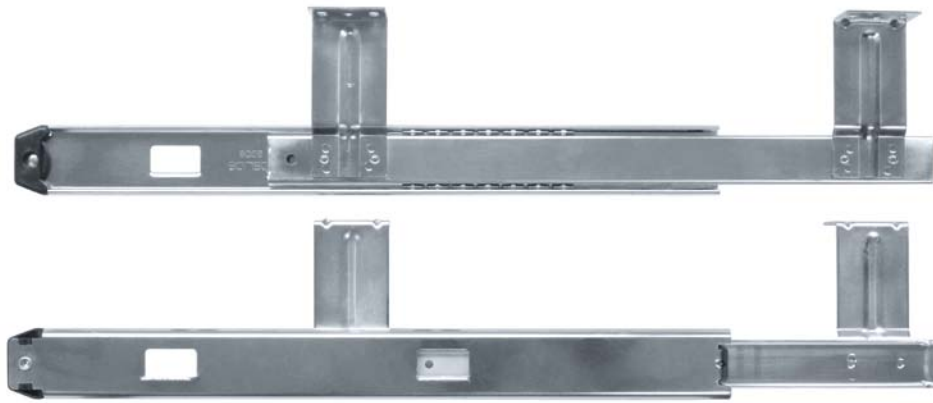
**Applications**

- ▶ Electronic enclosures
- ▶ Mechanical Equipment
- ▶ Truck bodies
- ▶ Tool boxes

**Dimensions**



Item-No.	Length		Travel		A		B		C		Load	
	Inches	mm	Inches	mm	Inches	mm	Inches	mm	Inches	mm	lbs	kg
10617 04 159	14	350	14-7/8	378			7-3/4	200	12-3/4	324	590	268
10617 04 160	16	400	15-7/8	428			9-13/16	251	14-3/4	375	570	259
10617 04 161	18	450	17-7/8	479	8-3/8	213	11-7/8	302	16-3/4	425	550	250
10617 04 162	20	500	20-7/8	530	9-3/8	238	13-7/8	352	18-3/4	476	530	230
10617 04 163	22	550	22-7/8	581	10-3/8	264	15-7/8	403	20-3/4	527	504	229
10617 04 164	24	600	24-7/8	632	11-3/8	289	17-7/8	454	22-3/4	578	475	216
10617 04 165	26	650	25-7/8	682	12-3/8	314	19-7/8	505	24-3/4	629	440	200
10617 04 166	28	700	28-7/8	733	13-3/8	340	21-7/8	556	26-3/4	679	400	182



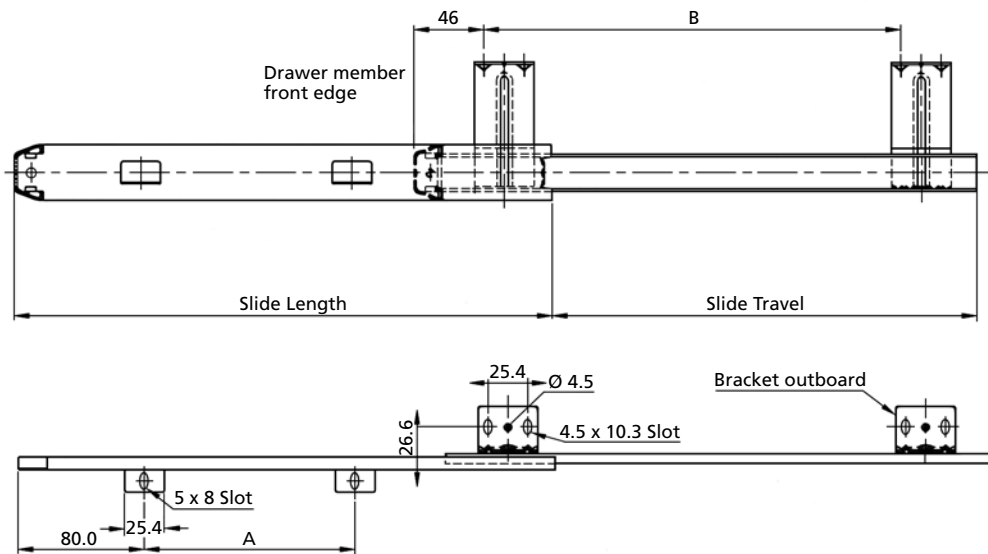
**Features**

- ▶ 3/4 extension
- ▶ Cabinet members/brackets mount to underside of unit; drawer members are side mounted
- ▶ Height: 3-1/2"
- ▶ Load rating: 66 lbs
- ▶ Electro zinc finish (black available)
- ▶ Lengths: 12" – 18"
- ▶ Packaging: 10 pair per carton
- ▶ Positive detent – out and detent – in
- ▶ Plastic bumper prevents damage to furniture
- ▶ Mounting tabs for keyboard shelf

**Applications**

- ▶ Computer keyboard trays
- ▶ Center drawers
- ▶ Drawers beneath desks, countertops, or tabletops

**Dimensions**



Item-No.	Length		Travel		A		B		Load	
	Inches	mm	Inches	mm	Inches	mm	Inches	mm	lbs	kg
10331 04 170	12	300	8-1/8	206	3-1/4	83	8-3/8	213	66	30
10331 04 049	14	350	9-5/8	244	5-1/4	133	10-3/8	264	75	34
10331 04 050	16	400	11-1/8	283	6-1/4	159	12-3/8	314	71	32
10331 04 052	18	450	12-1/2	320	7-1/4	184	14-3/8	365	66	30

West: toll free (800) 821-4007 · fax (714) 751-2366 · sales@usfutaba.com



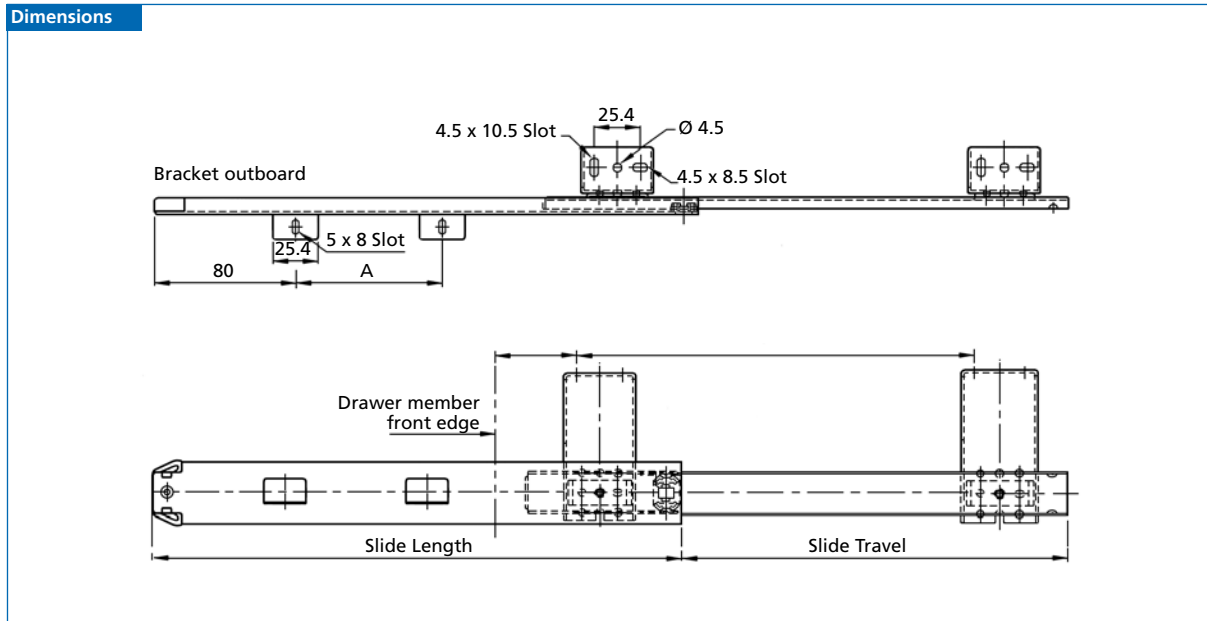
**Features**

- ▶ 3/4 extension
- ▶ Cabinet members/brackets mount to underside of unit; drawer members are side mounted
- ▶ Height adjustable: 2-7/8" · 3-3/8" · 3-3/4"
- ▶ Load rating: 60 lbs
- ▶ Electro zinc finish (black available)
- ▶ Lengths: 12" – 18"
- ▶ Packaging: 20 pair per carton
- ▶ Positive detent – out and detent – in
- ▶ Bracket for in-board or out-board use
- ▶ Mounting tabs for keyboard shelf

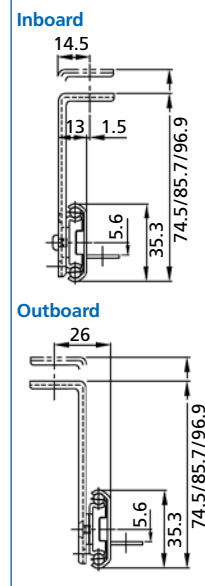
**Applications**

- ▶ Computer keyboard trays
- ▶ Center drawers
- ▶ Drawers beneath desks, countertops, or tabletops

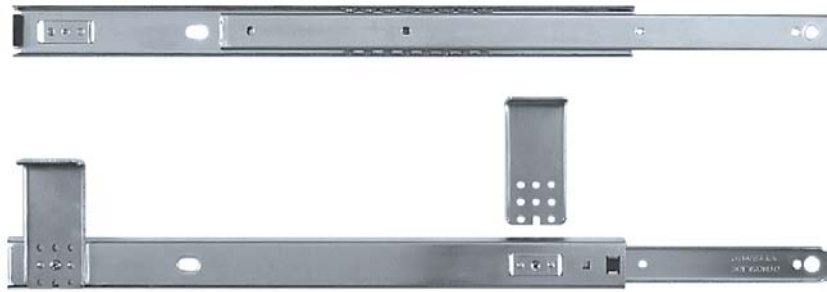
**Dimensions**



**Adjustable Brackets**



Item-No.	Length		Travel		A		B		Load	
	Inches	mm	Inches	mm	Inches	mm	Inches	mm	lbs	kg
10331 04 053	12	300	8	203	3-1/4	83	8-3/8	213	66	30
10331 04 054	14	350	9-1/2	241	5-1/4	133	10-3/8	263	71	32
10331 04 055	16	400	11	279	6-1/4	159	12-3/8	314	66	30
10331 04 056	18	450	12-1/2	317	7-1/4	184	14-3/8	365	60	27



Features

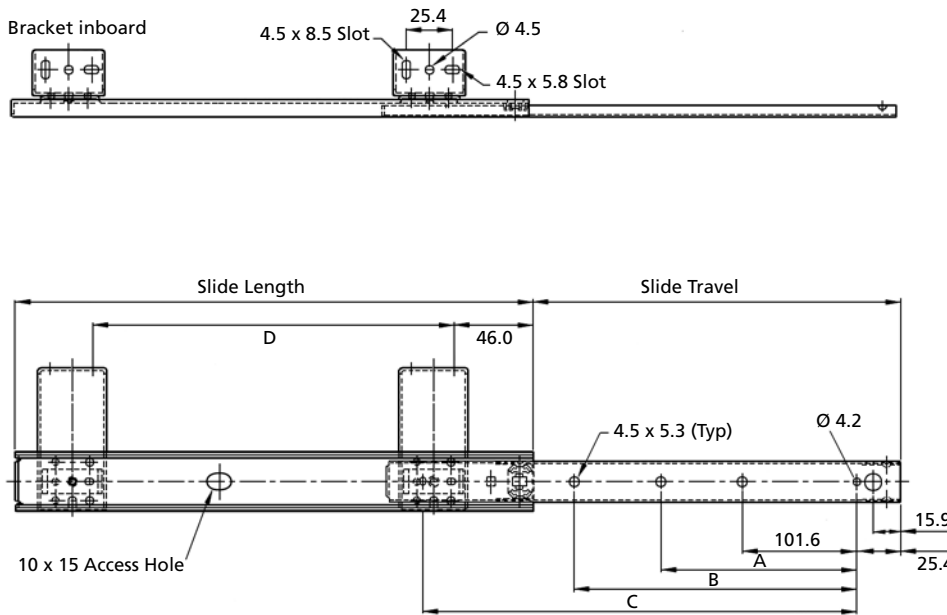
- ▶ 3/4 extension
- ▶ Cabinet members/brackets mount to underside of unit; drawer members are side mounted
- ▶ Height Adjustable: 2-7/8" · 3-3/8" · 3-3/4"
- ▶ Load rating: 60 lbs
- ▶ Electro zinc finish (black available)

- ▶ Lengths: 12" – 18"
- ▶ Packaging: 20 pair per carton
- ▶ Positive detent – out and detent – in
- ▶ Bracket for in- or out-board use

Applications

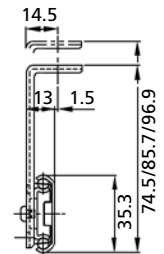
- ▶ Pencil drawers
- ▶ Center drawers
- ▶ Drawers beneath desks, countertops, or tabletops

Dimensions

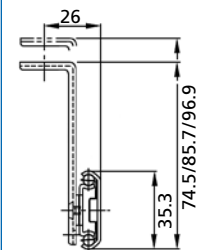


Adjustable Brackets

Inboard



Outboard



10331 04 Item-No.	Length		Travel		A		B		C		D		Load	
	Inches	mm	Inches	mm	Inches	mm	Inches	mm	Inches	mm	Inches	mm	lbs	kg
10331 04 057	14	350	9-15/16	252			8	203	12	305	10-3/8	264	71	32
10331 04 058	16	400	11-3/8	289			10	254	14	356	12-3/8	314	66	30
10331 04 059	18	450	12-15/16	328	8	203	12	305	16	406	14-3/8	365	60	27

West: toll free (800) 821-4007 · fax (714) 751-2366 · sales@usfutaba.com



Features

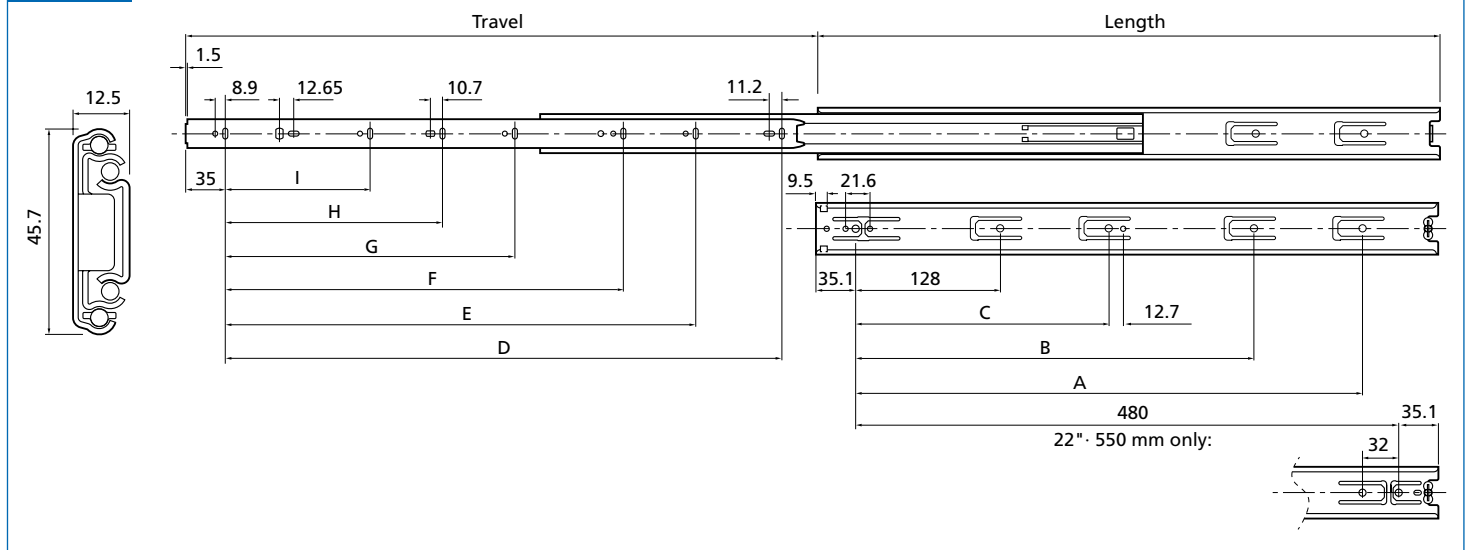
- ▶ 1" over travel
- ▶ Side mount
- ▶ Height: 1-13/16" (45.7 mm)
- ▶ Side spacing: 1/2" (+ 1/32" - 0") 12.7 mm (+ 0.38 mm - 0 mm)
- ▶ Load rating: 100 lbs (22" length)
- ▶ Electro zinc finish (black available)
- ▶ Screw mounting system 32 mm compatible

- ▶ Lengths: 10" - 28"
- ▶ Packaging: 10 pair per carton
- ▶ Easy access window to reach hole on cabinet member in closed position
- ▶ Breather tab self adjustment to accommodate variation in side clearance

Applications

- ▶ Commercial furniture
- ▶ Bedroom furniture
- ▶ Office furniture
- ▶ Kitchen cabinets

Dimensions



Item-No.	Length Inches	Length mm	Travel Inches	Travel mm	A Inches	A mm	B Inches	B mm	C Inches	C mm	D Inches	D mm	E Inches	E mm	F Inches	F mm	G Inches	G mm	H Inches	H mm	I Inches	I mm	Load lbs	Load kg	
11416 04 011	10	250	11	279							7-9/16	192											65	29	
11416 04 012	12	300	13	330					8-13/16	224	9-1/2	242									5	128	72	33	
11416 04 020	14	350	15	381					5	128	11-3/4	298											81	36	
11416 04 013	16	400	17	432			12-9/16	320	8-13/16	224	13-1/2	342									5	128	90	40	
11416 04 014	18	450	19	483			13-7/8	352	8-13/16	224	15-7/16	392			12-9/16	320					5	128	100	45	
11416 04 015	20	500	21	534			16-3/8	416	8-13/16	224	17-3/8	442			12-9/16	320					5	128	90	40	
11416 04 016	22	550	23	584			12-13/16	325	8-13/16	224	19-3/8	492	16-3/8	416								5	128	81	36
11416 04 017	24	600	25	635	18-7/8	480	13-7/8	352	8-13/16	224	12-3/8	542			16-3/8	416			8-13/16	224	5	128	72	33	
11416 04 018	26	650	27	686	21-7/16	544	13-7/8	352	8-13/16	224	23-5/16	592	21-3/8	544	16-3/8	416			8-13/16	224	5	128	65	29	
11416 04 019	28	700	29	737	21-7/16	544	13-7/8	352	8-13/16	224	25-1/4	642	21-3/8	544	16-3/8	416	11-3/8	288	8-13/16	224	5	128	59	26	



Features

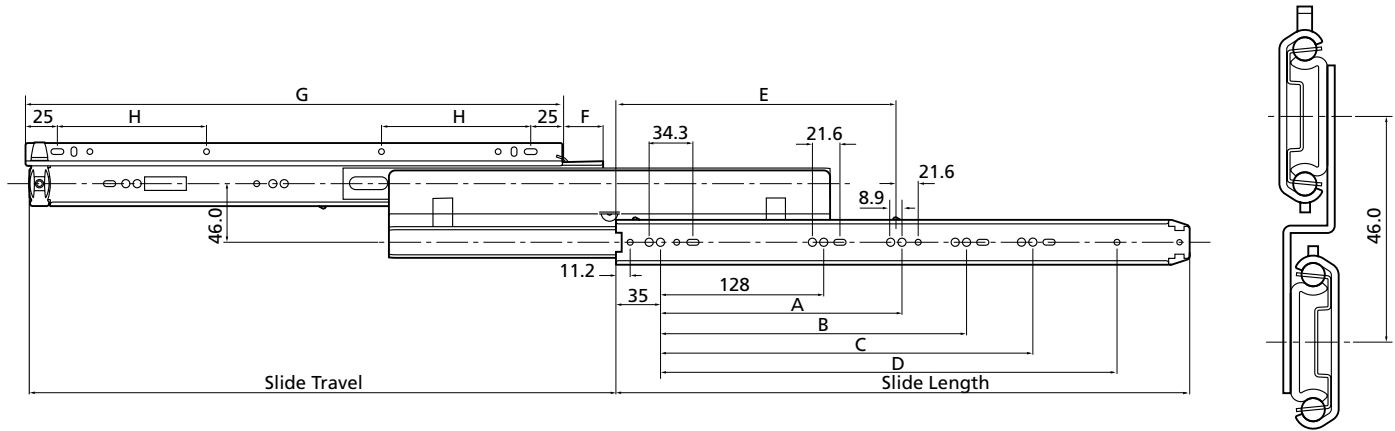
- ▶ 1" over travel
- ▶ Side mount
- ▶ Height: 4" (101.6 mm)
- ▶ Side spacing:  
1/2" (+ 1/32" - 0")  
12.7 mm (+ 0.38 mm - 0 mm)
- ▶ Load rating: 150 lbs (22" length)
- ▶ Electro zinc finish (black available)

- ▶ Lengths: 12" - 28"
- ▶ Packaging: 5 pair per carton
- ▶ Screw mounting system  
32 mm compatible
- ▶ Attached release clip with  
quick disconnect rails for easy  
drawer removal
- ▶ Progressive movement
- ▶ Handed slide member

Applications

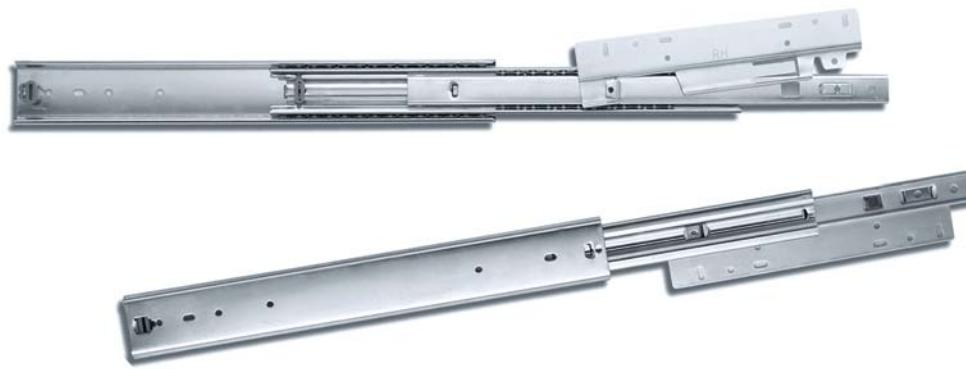
- ▶ File drawers
- ▶ Office furniture

Dimensions



11616 04	Length		Travel		A		B		C		D		E		F		G		H		Load	
Item-No.	Inches	mm	Inches	mm	Inches	mm	Inches	mm	Inches	mm	Inches	mm	Inches	mm	Inches	mm	Inches	mm	Inches	mm	lbs	kg
11616 04 021	12	300	13-1/4	338	9-13/16	224							5-5/8	143	1-1/4	31	10-9/16	269	4-5/8	117	109	49
11616 04 022	14	350	15-1/4	387	9-13/16	224							6-5/8	169	1-1/4	31	12-9/16	320	4-5/8	117	121	54
11616 04 023	16	400	17-5/8	449	9-13/16	224	12-5/8	320					7-5/8	194	1-1/4	31	14-9/16	370	4-5/8	117	135	61
11616 04 024	18	450	19-5/8	498	9-13/16	224	13-7/8	352					8-5/8	219	1-1/4	31	16-9/16	421	4-5/8	117	150	68
11616 04 025	20	500	21-9/16	547	9-13/16	224	16-3/8	416					9-5/8	245	1-1/4	31	18-9/16	472	4-5/8	117	135	61
11616 04 026	22	550	23-1/2	597	9-13/16	224	13-7/8	352	17-5/8	448	18-7/8	480	10-5/8	270	1-1/8	28	20-9/16	523	4-5/8	117	121	54
11616 04 027	24	600	25-7/16	646	9-13/16	224	13-7/8	352	18-7/8	480			11-5/8	296	1-1/8	28	22-9/16	574	4-5/8	117	109	49
11616 04 028	26	650	24-7/16	695	9-13/16	224	13-7/8	352	21-7/16	544			12-5/8	321	1-1/8	28	24-9/16	624	4-5/8	117	98	44
11616 04 029	28	700	29-1/4	744	9-13/16	224	13-7/8	352	21-7/16	544	23-15/16	608	13-5/8	346	2-1/4	58	25-7/16	645	4-5/8	117	88	40

West: toll free (800) 821-4007 · fax (714) 751-2366 · sales@usfutaba.com



**Features**

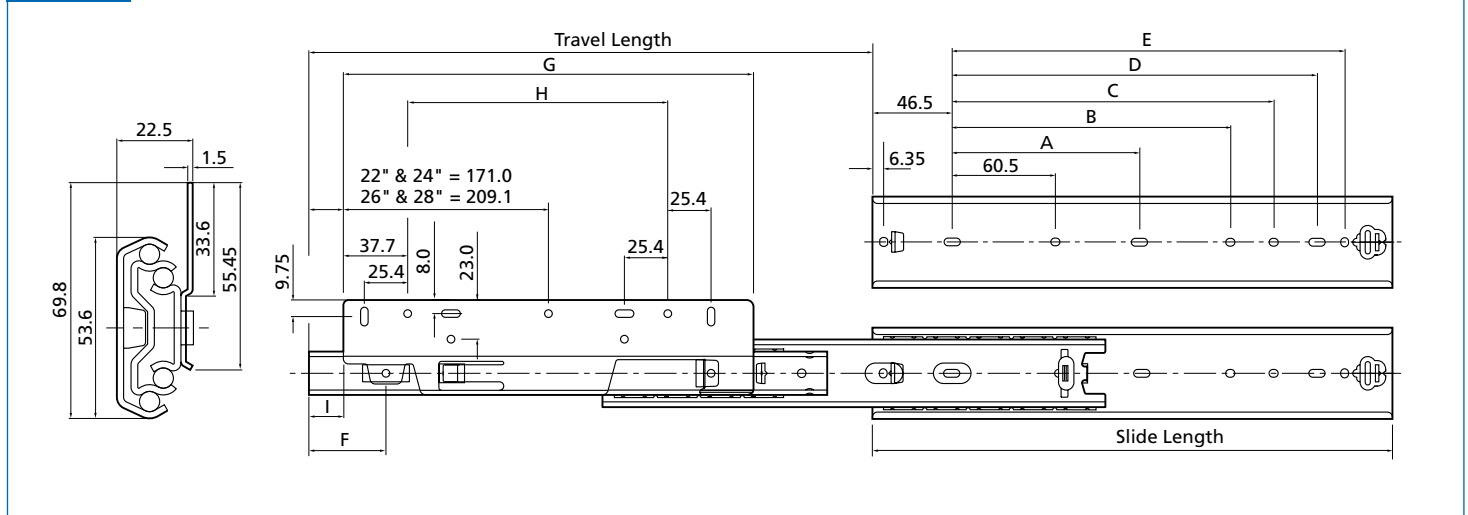
- ▶ 1" over travel
- ▶ Side mount with mounting brackets
- ▶ Height: 2-3/4" (69.8 mm)
- ▶ Side spacing: 7/8" (+ 1/32" - 0")  
22.5 mm (+ 0.38 mm - 0 mm)
- ▶ Load rating: 180 lbs (18" length)

- ▶ Electro zinc finish (black available)
- ▶ Lengths: 12" - 28"
- ▶ Packaging: 5 pair per carton
- ▶ Quick release brackets for easy drawer removal
- ▶ Anti-rebound
- ▶ Non-handed

**Applications**

- ▶ Cash drawers
- ▶ Slot machines
- ▶ Battery trays

**Dimensions**



Item-No.	Length		Travel		A		B		C		D		E		F		G		H		I		Load	
	Inches	mm	Inches	mm	Inches	mm	Inches	mm	Inches	mm	Inches	mm	Inches	mm	Inches	mm	Inches	mm	Inches	mm	Inches	mm	lbs	kg
11617 04 030	12	305	13	330			5-7/16	135	7	179	8	205	9	230	1-13/16	45	9-1/2	240	6	152	13/16	20	145	65
11617 04 031	14	356	15	381			7-7/16	186	9	230	10	255	11	281	1-13/16	45	9-1/2	240	6	152	13/16	20	162	73
11617 04 032	16	406	17	432			9-7/16	237	11	281	12	305	13	332	1-13/16	45	9-1/2	240	6	152	13/16	20	180	81
11617 04 033	18	457	19	483	7-1/2	191	11-7/16	288	13	332	14	357	15	382	2-1/4	58	12-1/2	317	8	203	1-1/4	33	180	81
11617 04 034	20	508	21	534	8-1/2	216	13-7/16	339	15	382	16	408	17	433	2-1/4	58	12-1/2	317	8	203	1-1/4	33	180	81
11617 04 035	22	559	23	584	9-1/2	241	15-7/16	389	17	433	19-1/8	486	19	484	2-13/16	71	14-1/2	367	9-7/8	250	1-13/16	46	162	73
11617 04 036	24	610	25	635	10-1/2	267	17-7/16	440	19	484	20	509	21	535	2-13/16	71	14-1/2	367	9-7/8	250	1-13/16	46	145	65
11617 04 037	26	660	27	686	11-1/2	292	19-7/16	491	21	535	22	560	23	586	3-1/4	83	17-1/2	444	13	330	2-1/4	58	131	59
11617 04 038	28	711	29	737	12-1/2	318	21-7/16	542	23	586	24	611	25	636	3-1/4	83	17-1/2	444	13	330	2-1/4	58	118	53



Features

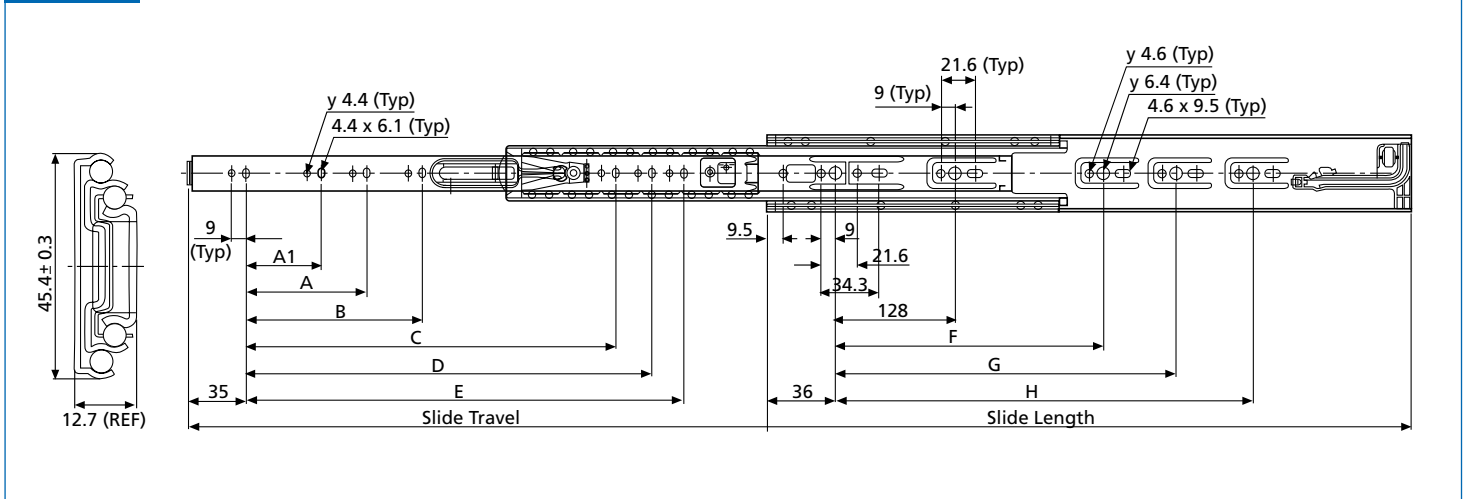
- ▶ Full extension
- ▶ Side mount
- ▶ Height: 1-13/16" (45.4 mm)
- ▶ Side spacing: 1/2" (12.7 mm)
- ▶ Load rating: 100 lbs (18" length)
- ▶ Electro zinc finish (black available)
- ▶ Lengths: 14" – 28"
- ▶ Packaging:
  - 14" – 16" 20 pair per carton
  - 18" – 28" 10 pair per carton

- ▶ Patented Butterfly Release for easy disconnect:
  - Ball retainer detent for easy drawer re-install
  - Screw mounting system 32 mm compatible
  - 1" stroke of self-closing
  - 5 lbs pull force for engaging opening
  - Face frame hole

Applications

- ▶ Commercial furniture
- ▶ Bedroom furniture
- ▶ Office furniture
- ▶ Kitchen cabinets

Dimensions



12415 04	Length		Travel		A1		A		B		C		D		E		F		G		H		Load	
Item-No.	Inches	mm	Inches	mm	Inches	mm	Inches	mm	Inches	mm	Inches	mm	Inches	mm	Inches	mm	Inches	mm	Inches	mm	Inches	mm	lbs	kg
12415 04 023	14	350	14	356	3-13/16	96									10-1/16	256	7-9/16	192					231	105
12415 04 024	16	400	16	406	5	128									11-9/16	294	8-13/16	224					220	100
12415 04 025	18	450	18	457	3-13/16	96	6-5/16	160							13-9/16	344	11-1/4	288					209	95
12415 04 026	20	500	20	508	3-13/16	96	6-5/16	160	13-7/8	352					15-1/2	394	8-13/16	224	13-7/8	352			198	90
12415 04 061	22	550	22	559	5	128	7-9/16	192	15-1/8	384					17-1/2	444	8-13/16	224	13-7/8	352			187	85
12415 04 027	24	600	24	610	5	128	8-13/16	224	13-7/16	416					19-7/16	494	8-13/16	224	13-7/8	352	17-5/8	448	176	80
12415 04 028	26	650	26	660	5	128	8-13/16	224	13-7/16	416	18-7/8	480			21-7/16	544	8-13/16	224	13-7/8	352	18-7/8	480	165	75
12415 04 029	28	700	28	711	5	128	8-13/16	224	11-1/4	288	17-5/8	448	21-3/8	544	13-7/16	594	8-13/16	224	13-7/8	352	21-7/16	544	143	65

West: toll free (800) 821-4007 · fax (714) 751-2366 · sales@usfutaba.com



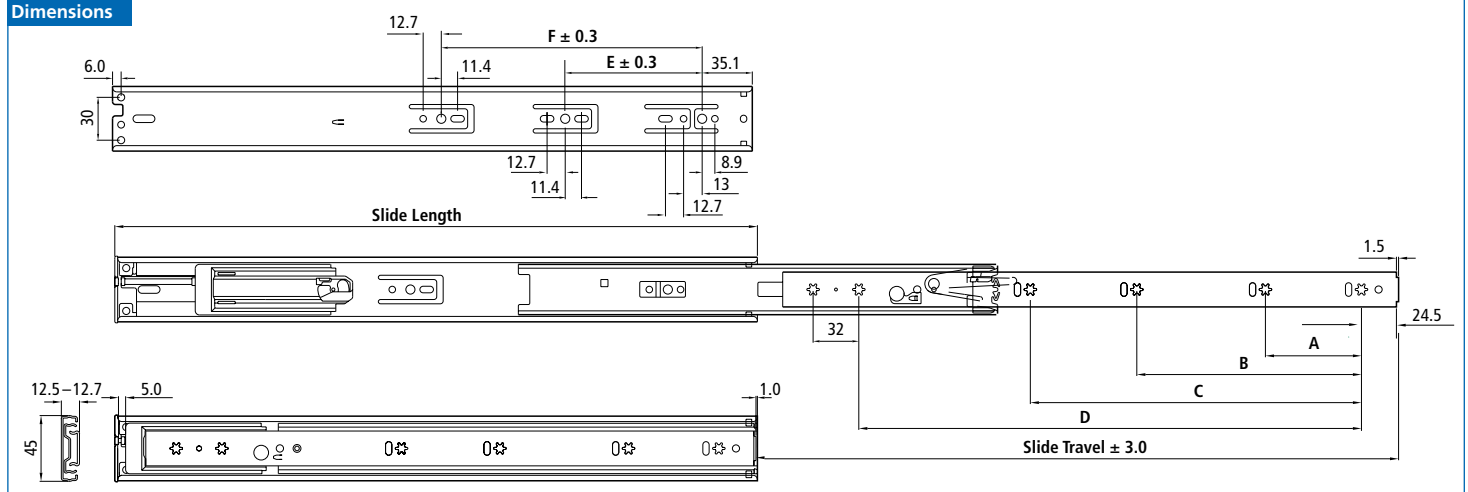
**Features**

- ▶ Full extension
- ▶ Side mount
- ▶ Height: 1-13/16" (45.7 mm)
- ▶ Side spacing: 1/2" (+ 1/32" - 0")  
12.7 mm (+ 0.38 mm - 0 mm)
- ▶ Load rating: 100 lbs (22" length)
- ▶ Electro zinc finish (black available)
- ▶ Lengths: 12" - 28"
- ▶ Packaging: 10 pair per carton
- ▶ Extremely light, silent and smooth motion with cushioned out-stop and 2" soft close stroke
- ▶ Screw mounting system 32 mm compatible
- ▶ 5.5 - 6.5 lbs (2.5 - 3 kgs) pull force per drawer
- ▶ Patented integrated dampening mechanism - no hassle for grease leakage or drawer bounce

**Applications**

- ▶ Kitchen cabinets
- ▶ Bedroom furniture
- ▶ Office furniture
- ▶ Commercial furniture

**Dimensions**



Item-No.	Length		Travel		A		B		C		D		E		F		Load	
	Inches	mm	Inches	mm	Inches	mm	Inches	mm	Inches	mm	Inches	mm	Inches	mm	Inches	mm	lbs	kg
12415 04 116	12	300	8-1/2	215	2-1/2	64					7-9/16	192					50	22.7
12415 04 117	14	350	11-3/8	290	3-3/4	96					10-1/16	256	3-3/4	96			60	27.2
12415 04 118	16	400	14-3/8	365	6-1/4	160					11-5/16	288	6-1/4	160			60	27.2
12415 04 119	18	450	17-5/16	440	3-3/4	96	7-9/16	192			13-7/8	352	3-3/4	96	7-9/16	192	100	45.4
12415 04 120	20	500	19-11/16	500	3-3/4	96	8-13/16	224			15-1/8	384	5	128	10	256	100	45.4
12415 04 121	22	550	21-11/16	550	3-3/4	96	8-13/16	224			17-5/8	448	6-1/4	160	12-9/16	320	100	45.4
12415 04 122	24	600	23-5/8	600	5	128	8-13/16	224	16-3/8	416	19-1/2	496	7-9/16	192	13-7/8	352	100	45.4
12415 04 123	26	650	25-9/16	650	5	128	11-5/16	288	17-5/8	448	21-3/8	544	7-9/16	192	16-3/8	416	80	36.2
12415 04 124	28	700	27-9/16	700	5	128	11-5/16	288	18-7/8	480	23-1/4	592	8-13/16	224	17-5/8	448	70	31.8



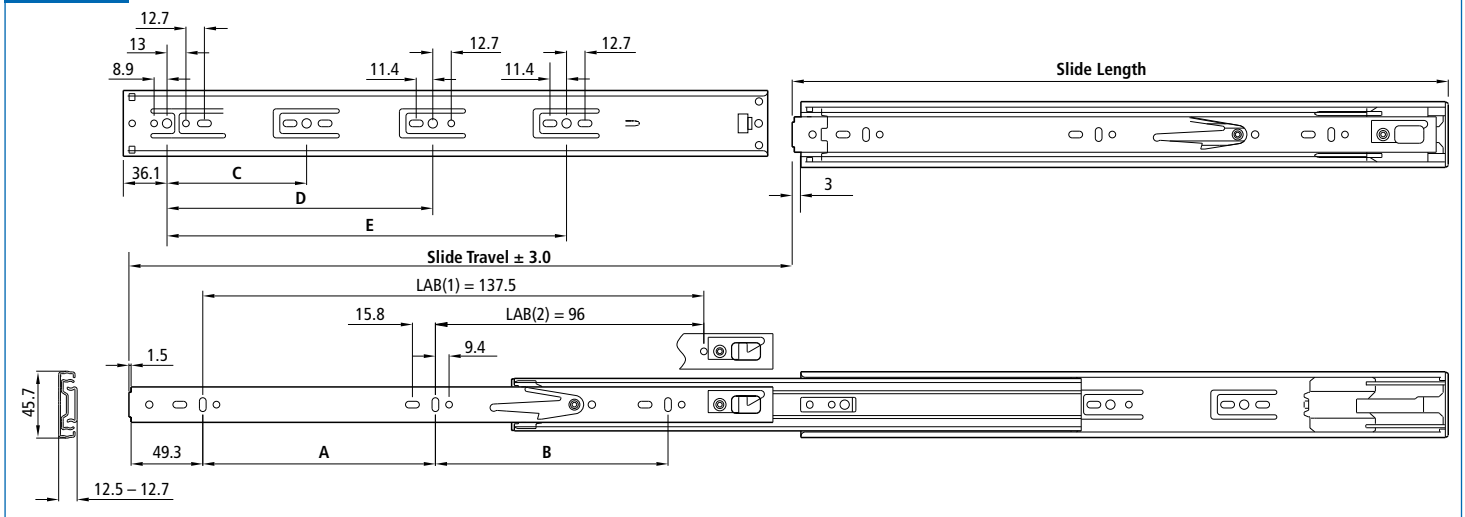
Features

- ▶ Full extension
- ▶ Side mount
- ▶ Height: 1-13/16" (45.7 mm)
- ▶ Side spacing: 1/2" (+ 1/32" - 0") 12.7 mm (+ 0.38 mm - 0 mm)
- ▶ Load rating: 100 lbs (22" length)
- ▶ Electro zinc finish (black available)
- ▶ Lengths: 10" - 28"
- ▶ Packaging: 10 pair per carton
- ▶ Extremely light, silent and smooth motion with cushioned out-stop and patented touch to release mechanism. Drawer will rebound open at least 2/3 with proper installation
- ▶ Screw mounting system 32 mm compatible

Applications

- ▶ Kitchen cabinets
- ▶ Bedroom furniture
- ▶ Office furniture
- ▶ Commercial furniture

Dimensions



Item-No.	Length		Travel		A		B		C		D		E		Load	
	Inches	mm	Inches	mm	Inches	mm	Inches	mm	Inches	mm	Inches	mm	Inches	mm	lbs	kg
12415 04 125	9-7/8	250	9-1/16	230	LAB(1)				3-3/16	80					40	18
12415 04 126	11-7/8	300	12	305	3-3/4	96	LAB(2)				5-3/8	136			50	22
12415 04 127	13-13/16	350	14	356	3-3/4	96	5	128			7-9/16	192			60	27
12415 04 128	15-13/16	400	16	406	5	128	5-11/16	144			5	128	9-1/2	240	60	27
12415 04 129	17-3/4	450	18	457	6-1/4	160	6-1/16	160			5	128	11-3/8	288	100	45
12415 04 130	19-11/16	500	20	508	7-9/16	192	6-1/16	160			7-9/16	192	13-1/4	336	100	45
12415 04 131	21-5/8	550	22	559	8-13/16	224	7-9/16	192	8-13/16	224			15-1/8	384	100	45
12415 04 132	23-11/16	600	24	610	8-13/16	224	8-13/16	224	10-1/16	256			17	432	100	45
12415 04 133	25-5/8	650	26	660	10-1/16	256	10-1/16	256	11-5/16	288			19-1/8	486	80	36
12415 04 134	27-9/16	700	28	711	10-1/16	256	12-9/16	320	12-9/16	320			21-1/8	544	70	31

West: toll free (800) 821-4007 · fax (714) 751-2366 · sales@usfutaba.com



Features

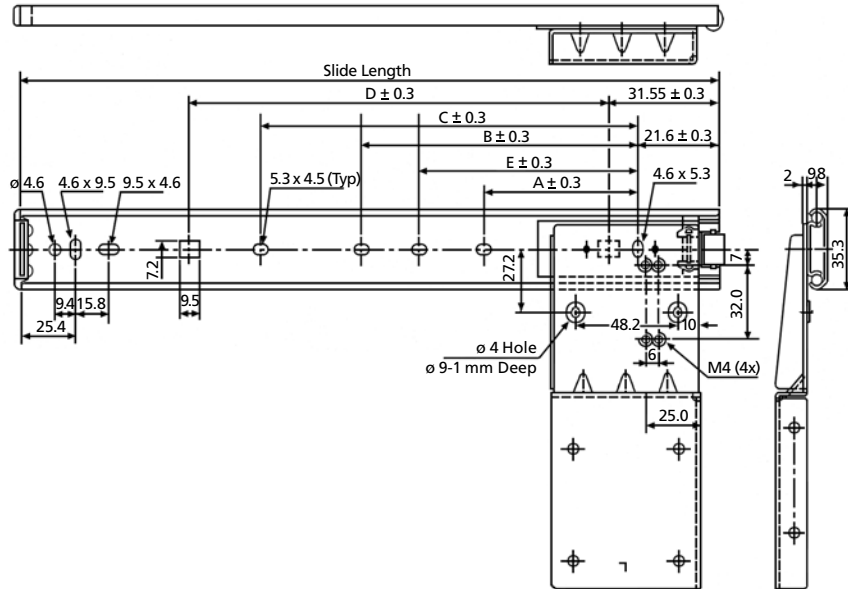
- ▶ Side mount
- ▶ Load rating: 33 lbs
- ▶ Black electro zinc plated
- ▶ Lengths: 14"– 22"
- ▶ Packaging: 12 pair per carton

- ▶ Unique bracket design
- ▶ Predrilled for mounting plates
- ▶ Predrilled for wood follower-strip
- ▶ Nylon rollers to eliminate door racking

Applications

- ▶ Pocket doors

Dimensions



10352 01	Length		Travel		A		B		C		D		Load	
Item-No.	Inches	mm	Inches	mm	Inches	mm	Inches	mm	Inches	mm	Inches	mm	lbs	kg
11352 01 041	14	350	11	282	4-1/16	103	5-1/16	128	8-3/16	207	9-7/8	251	25	11
11352 01 042	16	400	12-5/16	313	4-1/16	103	7-1/16	179	10-3/16	258	11-7/8	302	25	11
11352 01 043	18	450	14-5/16	363	4-1/16	103	9-1/16	230	12-3/16	309	13-7/8	353	25	11
11352 01 044	20	500	16-5/16	414	4-1/16	103	11-1/16	281	14-3/16	360	15-7/8	404	25	11
11352 01 045	22	550	19	485	4-1/16	103	13-1/16	332	16-3/16	411	17-7/8	455	25	11

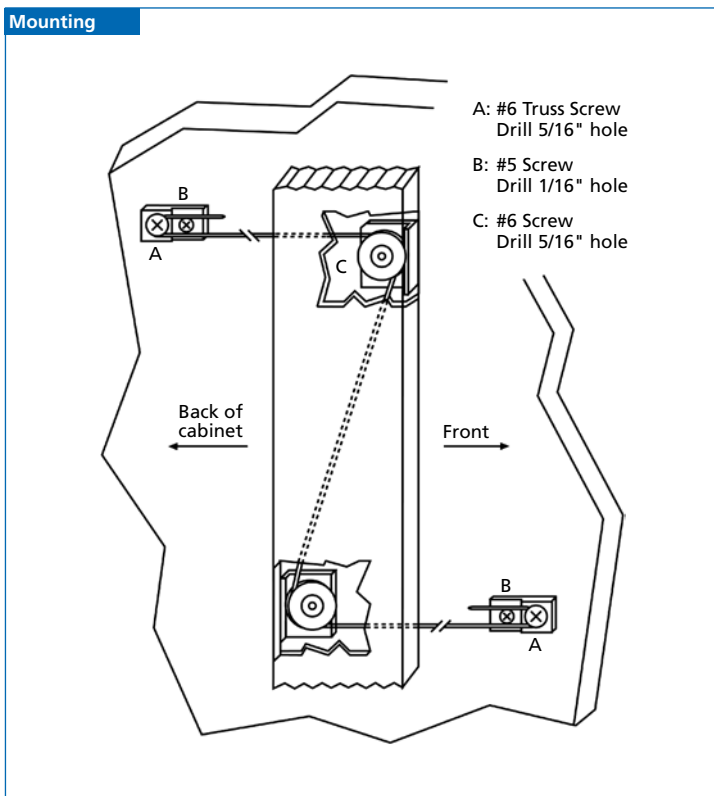
## Cable System B-Quick



### Features

- ▶ Designed for large doors
- ▶ Cable eliminates door sagging and racking
- ▶ Works with any standard pocket door slide
- ▶ 10 ft. cable allows use on large doors
- ▶ Easy assembly
- ▶ Add stability to large pocket doors

### Mounting



13999 00 080 B-Quick Cable System

### Features

13899 00 083 Ball Bearing Roller

- ▶ Nylon roller with ball bearings
- ▶ 7/8" (22 mm) diameter
- ▶ With threaded Insert



### Face Frame Rear Mounting Bracket

### Features

13159 04 082 Face Frame Rear Mounting Bracket

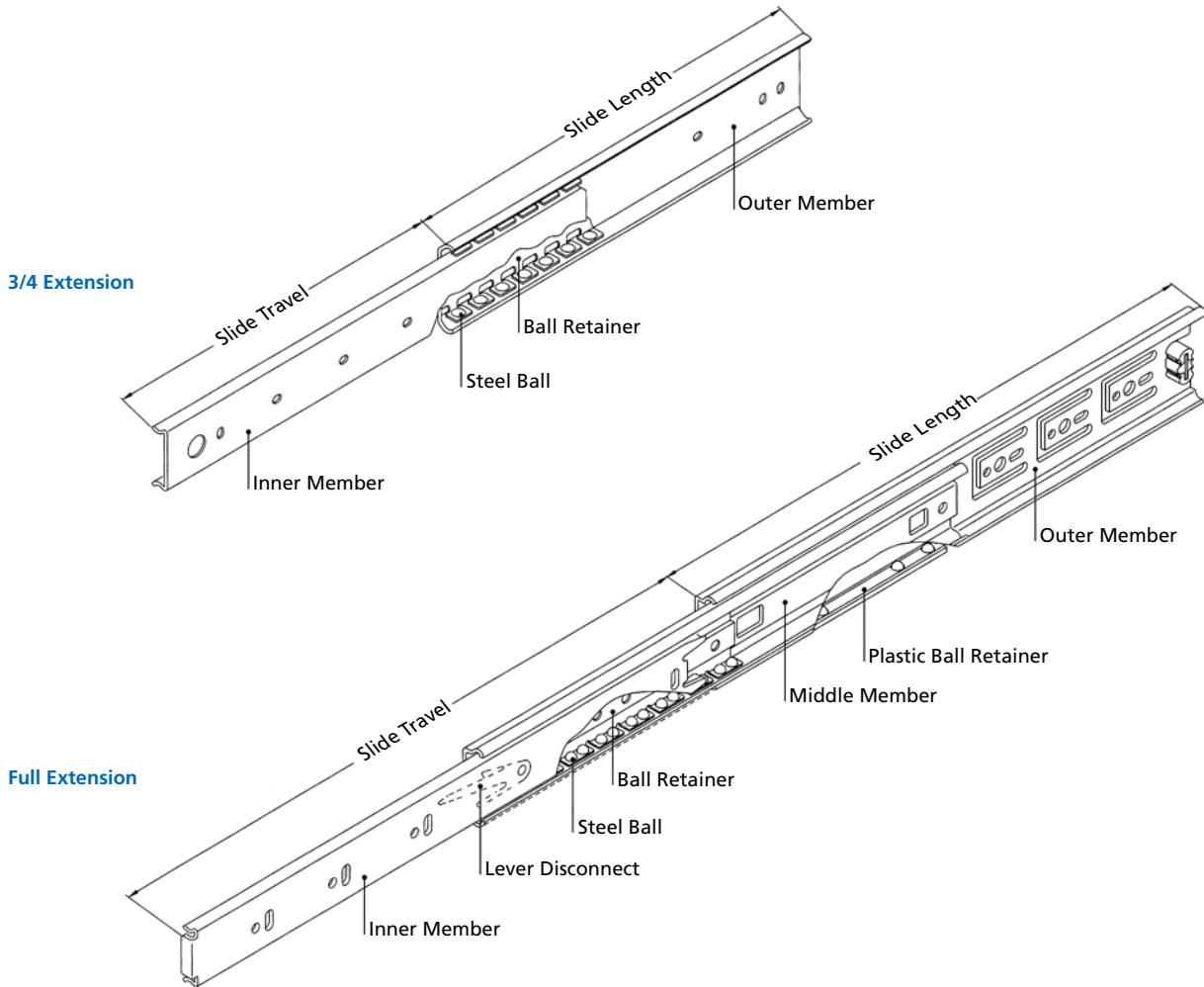
- ▶ Rear mounting bracket for face frame application
- ▶ Zinc plated

### Dimension

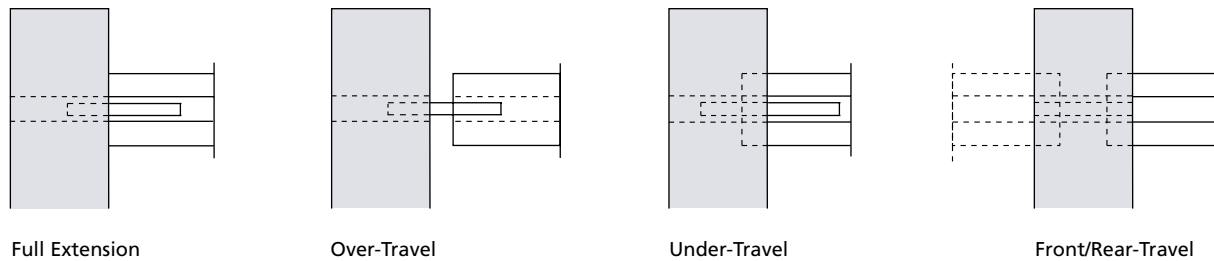
- ▶ 1" x 1-7/8" x 3-1/2"
- ▶ 25mm x 47mm x 89mm



Ball Bearing Slide Construction



Types of Drawer Slide Travel



West: toll free (800) 821-4007 · fax (714) 751-2366 · sales@usfutaba.com

Inch - Millimeter		
Fraction	Decimal	Millimeter
1/64	.015625	.39668
1/32	.03125	.79375
3/64	.046875	1.19063
1/16	.0625	1.58750
5/64	.078125	1.98438
3/32	.09375	2.38125
7/64	.109375	2.77813
1/8	.125	3.17500
9/64	.140625	3.57188
5/32	.15625	3.9687
11/64	.171875	4.36563
3/16	.1875	4.7625
13/64	.203125	5.15938
7/32	.21875	5.55625
15/64	.234375	5.95313
1/4	.250	6.3500
17/64	.265625	6.74688
9/32	.28125	7.14375
19/64	.296875	7.54063
5/16	.3125	7.93750
21/64	.328125	8.33438
11/32	.34375	8.73125
23/64	.359375	9.12813
3/8	.375	9.5250
25/64	.390625	9.92188
13/32	.40625	10.31875
27/64	.421875	10.71563
7/16	.4375	11.11250
29/64	.453125	11.50938
15/32	.46875	11.90625
31/64	.48375	12.30313
1/2	.500	12.700

Inch - Millimeter		
Fraction	Decimal	Millimeter
33/64	.515625	13.09688
17/32	.53125	13.49375
35/64	.546875	13.89063
9/16	.5625	14.28750
37/64	.578125	14.68438
19/32	.59375	15.08125
39/64	.609375	15.47813
5/8	.625	15.87500
41/64	.640625	16.27188
21/32	.65625	16.66875
43/64	.671575	17.06563
11/16	.6875	17.46250
45/64	.703125	17.85938
23/32	.71875	18.25625
47/64	.734375	18.65312
3/4	.750	19.0500
49/64	.765625	19.44688
25/32	.78125	19.84375
51/64	.796875	20.24063
13/16	.8125	20.63750
53/64	.828125	21.03438
27/32	.84375	21.43125
55/64	.859375	21.8281
7/8	.875	22.22500
57/64	.890625	22.62188
29/32	.90625	23.01875
59/64	.921875	23.41563
15/16	.9375	23.81250
61/64	.953125	24.2093
31/32	.96875	24.60625
63/64	.984375	25.00313
1	1.000	25.4000

kg = lbs + oz.		
kg	lbs.	oz.
0.1	0	3 <sup>1/2</sup>
0.2	0	7
0.3	0	10 <sup>1/2</sup>
0.4	0	14
0.454	1	0
0.5	1	1 <sup>1/2</sup>
0.6	1	5
0.7	1	8 <sup>3/4</sup>
0.8	1	12 <sup>1/4</sup>
0.9	1	15 <sup>3/4</sup>
0.908	2	0
1.0	2	3 <sup>1/4</sup>
1.1	2	6 <sup>3/4</sup>
1.2	2	10 <sup>1/4</sup>
1.3	2	13 <sup>3/4</sup>
1.4	3	1 <sup>1/4</sup>
1.5	3	4 <sup>3/4</sup>
2.0	4	6 <sup>1/2</sup>
2.5	5	8
3.0	6	9 <sup>3/4</sup>
3.5	7	11 <sup>1/4</sup>
4.0	8	13
4.5	9	14 <sup>1/2</sup>
4.54	10	0
5.0	11	1 <sup>1/4</sup>
6.0	13	3 <sup>1/2</sup>
7.0	15	6 <sup>3/4</sup>
8.0	17	10
9.0	19	13 <sup>1/4</sup>
9.08	20	0
10	22	1 <sup>1/2</sup>
20	44	3 <sup>1/4</sup>
30	66	1 <sup>1/4</sup>
40	88	1 <sup>3/4</sup>
50	110	2

East: toll free (877) 293-0584 · fax (757) 549-9794 · www.usfutaba.com

01 **Ball Bearing Slides**

▶▶ Serving America with the world's best since 1983! ◀◀

02 **Drawer Systems**

03 **Hinges**

04 **Locks**

05 **Kitchen Solutions**

06 **Closet Rod and Accessories**

07 **Office Line**

08 **Functional Hardware**

09 **Flat Panel Solutions**

10 **Decorative Hardware**

▶▶ **West**

2901 West Garry Ave.  
Santa Ana, CA 92704  
Phone (800) 821-4007  
Fax (714) 751-2366

**East** ◀◀

525 Byron Street  
Chesapeake, VA 23320  
Phone (877) 293-0584  
Fax (757) 549-9794