



Base Cabinet Expansions

Base Cabinet Organizers



Waste Solutions

Pantry Organizers

Quality

- ▶ a must for every distributor
- ▶ a must for every cabinet, closet and furniture manufacturer - only the best will do.
- ▶ a basic for U.S.Futaba, Inc.
- ▶ we go all over the world
- ▶ we find it at home in the U.S.
- ▶ we supply you with the best!

+ Service

- ▶ means more to us than just shipping merchandise.
- ▶ means that we are available to answer your technical questions by phone, fax, e-mail or a visit.
- ▶ means that if you place your order before noon - we ship the same day.
- ▶ means we want to know your ideas - so we can help you build a bestseller.

= U.S. Futaba, Inc.

- ▶ means we are a business partner you can rely on!

+ Availability

- ▶ you want it now!
most of the items you see in our catalogs are available from stock!
- ▶ out of stock!
amazing how fast we will replenish to serve your needs!

...or just come and see us sometime.
Our regular business hours are from 7:30 am to 5 pm Monday through Friday.

We make it a point, however, to be available at times that are convenient for you - a call is all it takes!



Base Cabinet Expansions

Soft Close Countertop Extension	4
Appliance Lift	5



Base Cabinet Organizers

Space Genie	6
Tray Divider	6
Soft Close Blind Corner Organizer	7
3 Basket Pull Out	8
Single Basket Pull Out	8



Waste Solutions

Soft Close Waste Container Pull Out	9
Door Mount Extension Bracket Kit	9
Waste Bin Pull Out	10
Soft Close Waste Bin Pull Out	11
Waste Bins	10 & 11
Single Waste Bin Pull Out with Cover	12
Double Waste Bin Pull Out with Cover	13



Pantry Organizers

High Pull Out	14
Heavy Duty High Pull Out	15
Soft Close Butler's Pantry	16
Soft Close Tall Pantry Unit	17
Soft Close Bus Door	18

Appendix

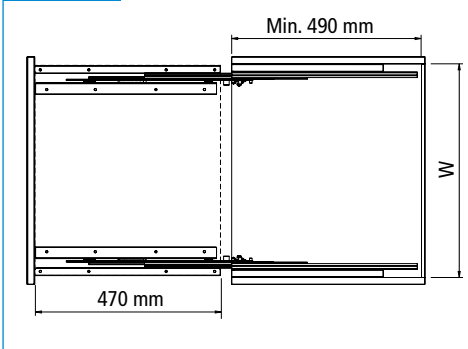
Conversion Table	19
------------------	----



Features

- ▶ Instantly achieve more countertop surface right out of the space normally occupied by a drawer
- ▶ Simply pull open and lift up to counter height in one movement
- ▶ Push extension back against countertop to create additional space
- ▶ Ideal for galley kitchen, RVs, home office, laundry rooms – anywhere that a little more counter space makes life easier
- ▶ Finish: Silver gray epoxy
- ▶ Drawer opening height – 4" + thickness of work surface
- ▶ Work surface not included

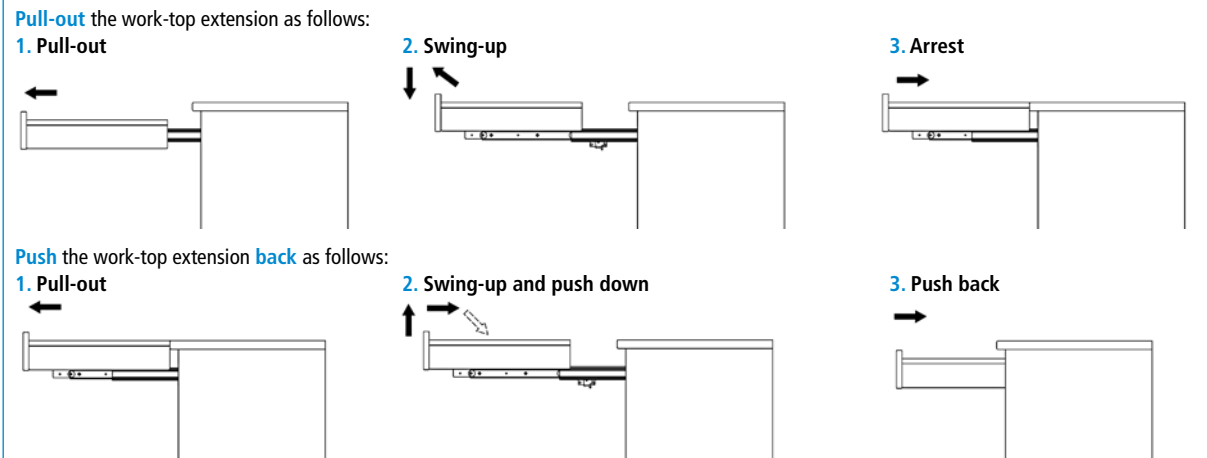
Dimensions



Soft Close Countertop Extension

Item No.	Min. Cab. opening height		Cab. opening width (W)		Min. Cabinet depth	
	inches	mm	inches	mm	inches	mm
40141 85 198	4-3/16	105	16-23	400-600	20	490

Application



West: toll free (800) 821-4007 · fax (714) 751-2366 · sales@usfutaba.com

Features

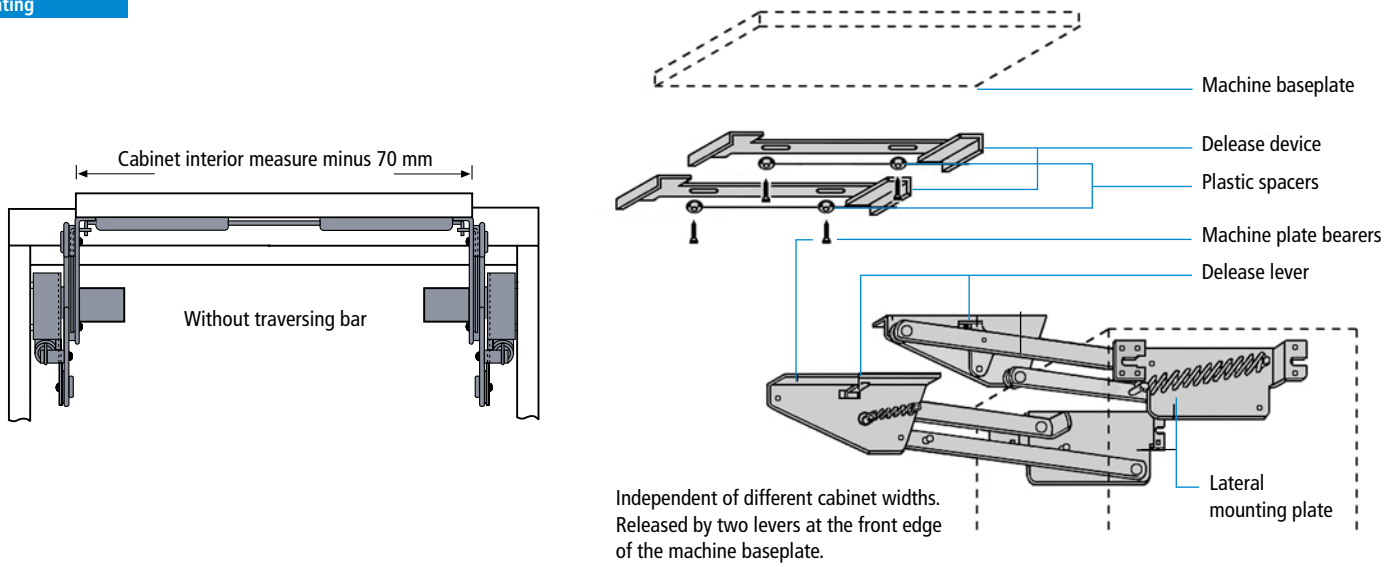
- ▶ Load capacity: 22 lbs
- ▶ Locks in extended and closed position
- ▶ Convenient appliance storage
- ▶ Spring assist for easy lift
- ▶ Finishes: White



Appliance lift

Item No.	Swing height		Working height		Cabinet depth	
	inches	mm	inches	mm	inches	mm
40922 82 180	22-7/16	500	16-1/8	410	20-7/8	530

Mounting



Construction Details

Release lever
easily accessible, directly at the front edge of the machine baseplate. The fitting can only be swung in or out when the release lever has been pulled out.

Locking device
on both sides, secure and safe locking in working position.

Differences in the thickness of side walls
from 16 to 19 mm can be adjusted in the oblong holes of the traverse.

Two working heights
available for kitchen machines of different sizes.

High-grade concealed steel springs

Quick mounting
Particularly quick and easy to install with system screws.

Locking in closed position
secure locking device on both sides to keep the fitting in close position. No accidental swinging out while loaded or during transport.

Corrosion protection
High quality epoxy coating. Meets all requirements for the storage of foodstuffs.

Silent movement
Thanks to plastic-bedded joints.



Space Genie Pull-out Organizer

Item No.	Height		Width		Depth		Finish	Cabinet width	
	inches	mm	inches	mm	inches	mm		inches	mm
40321 46 022	20-7/8	530	4-1/2	114	18-9/16	450	Chrome	5-7/8	150

Tray Divider



Features

- ▶▶ Welded steel screw mounting tabs (no plastic clips)
- ▶▶ Mounts to base and back of cabinet with screws (not provided)
- ▶▶ Divides base and pantry cabinet space

Tray Divider

Item No.	Height		Depth		Finish	Min. cabinet depth	
	inches	mm	inches	mm		inches	mm
40324 46 196	12	305	18	457	Chrome	19-11/16	500
40324 46 197	18	457	18	457	Chrome	19-11/16	500

Features

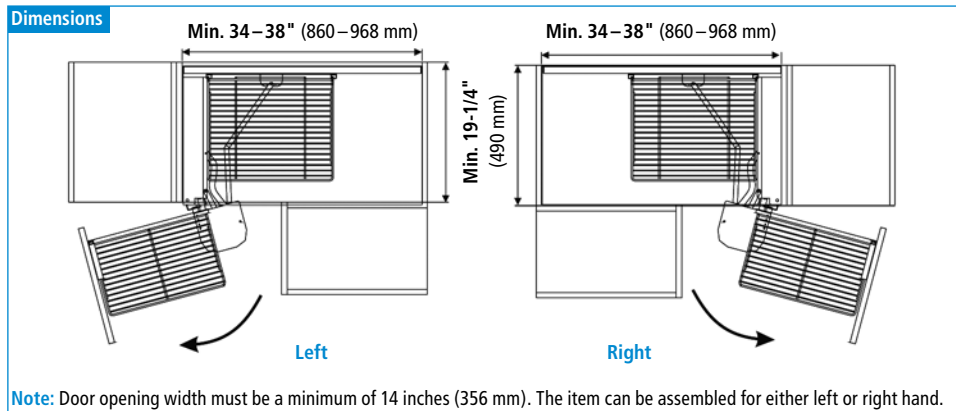
- ▶ Access unaccessible space in blind corner cabinet
- ▶ Installs easily in either left hand or right hand cabinets
- ▶ Soft close for quiet operation and current design demands
- ▶ Two door mounted baskets pull completely out of the cabinet and swing away from the opening. This allows complete access to the rear baskets which automatically slide into an accessible position.
- ▶ All baskets have a non-skid solid bottom
- ▶ Basket finish is satin stainless steel epoxy
- ▶ Frame finish: Silver gray epoxy
- ▶ Minimum door opening: 14" (356mm)



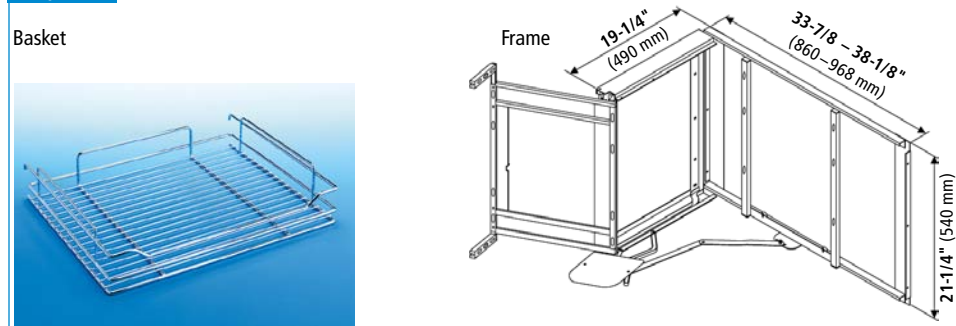
Soft Close Blind Corner Organizer

Item No.	Height		Width inches	Depth		Components	Finishes	Cabinet Width inches
	inches	mm		inches	mm			
40321 46 057	21-1/4	540	33-7/8 – 38-1/8 (860 – 968 mm)	19-1/4	490	Frame, 4 Baskets	Grey epoxy Chrome	35-7/16 – 39-3/8 (900 – 1000 mm)

Dimensions



Components



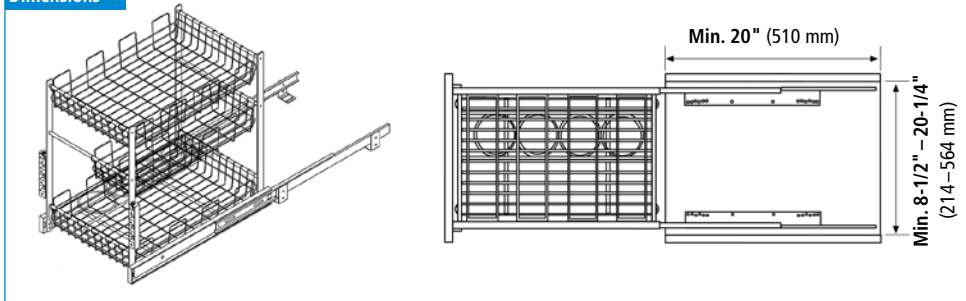
3 Basket Pull Out



3 Basket Pull Out with Full Extension Ball Bearing Slide

Item No.	Height		Width		Depth		Components	Finish	Cabinet Width	
	inches	mm	inches	mm	inches	mm			inches	mm
40321 46 042	19-11/16	500	8-1/2	214	20-1/16	510	Frame, slides, 3 baskets	Chrome	9-7/8	250
40321 46 044	19-11/16	500	10-1/2	264	20-1/16	510	Frame, slides, 3 baskets	Chrome	11-13/16	300
40321 46 047	19-11/16	500	14-1/2	364	20-1/16	510	Frame, slides, 3 baskets, bottle rack	Chrome	15-3/4	400
40321 46 050	19-11/16	500	18-1/2	464	20-1/16	510	Frame, slides, 3 baskets, bottle rack	Chrome	19-11/16	500
40321 46 053	19-11/16	500	22-1/8	564	20-1/16	510	Frame, slides, 3 baskets, bottle rack	Chrome	23-5/8	600

Dimensions



Components

Frame



Basket



Bottle Rack



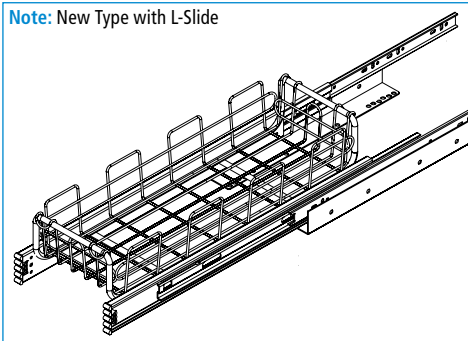
Single Basket Pull Out



Single Basket Pull Out with Full Extension Ball Bearing Slide

Item No.	Height		Width		Depth		Components	Finish	Cabinet Width	
	inches	mm	inches	mm	inches	mm			inches	mm
40321 46 043	5	127	8-1/4	210	20-1/16	510	Frame, slides, basket	Chrome	9-7/8	250
40321 46 046	5	127	10-1/4	260	20-1/16	510	Frame, slides, basket	Chrome	11-13/16	300
40321 46 049	5	127	14-3/16	360	20-1/16	510	Frame, slides, basket	Chrome	15-3/4	400
40321 46 052	5	127	18-1/16	460	20-1/16	510	Frame, slides, basket	Chrome	19-11/16	500
40321 46 055	5	127	20-1/16	510	20-1/16	510	Frame, slides, basket	Chrome	23-5/8	600

Note: New Type with L-Slide



Features

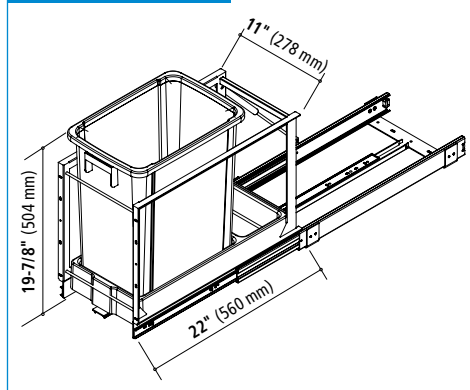
- ▶ Soft open and close
- ▶ Piston aids in the opening of the unit as well as supplying a soft close
- ▶ Three slides to ensure smooth operation and lateral stability
- ▶ Single pull out includes 1 white 36 qt. waste bin
- ▶ Double pull out includes 2 white 36 qt. waste bins
- ▶ Bins fit inside the removable, washable tray
- ▶ Single pull out includes storage area behind the bin for bags or cleaners
- ▶ Fully assembled unit is ready for bottom mount installation and door mounting
- ▶ Frame finish is white epoxy
- ▶ Minimum cabinet opening:
Single: 12" (305 mm)
Double: 15" (381 mm)
- ▶ 150 lb load capacity



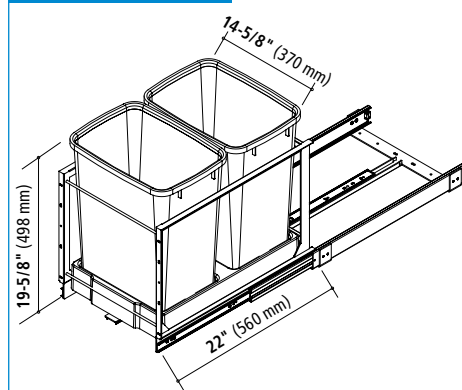
Soft Close Waste Container Pull Out

Item No.	Height		Width		Depth		Components	Finishes	Min. Cab. Width	
	inches	mm	inches	mm	inches	mm			inches	mm
40321 46 207	19-7/8	504	11	278	22	560	Frame, 1 Bin	White epoxy, Plastic	12	305
40321 46 208	19-5/8	498	14-5/8	370	22	560	Frame, 2 Bins	White epoxy, Plastic	15	381

Dimensions Single Type



Dimensions Double Type



Optional Item for above shown Waste Container Pull Out:

Door Mount Extension Kit · 40959 83 217

Features

- ▶ The extension bracket kit attaches to existing door mount brackets to extend the mounting surface and adjustment as required for some special door styles
- ▶ Eliminates the need for sub-panel
- ▶ Provides adjustment from 3/4" (19mm) to 2-1 / 2" (64mm) per side
- ▶ One kit consists of 2 right-side and 2 left-side brackets

Door Mount Extension Bracket Kit, white epoxy

Item No.	Height		Width		Depth	
	inches	mm	inches	mm	inches	mm
40959 83 217	2	50.8	4-1/2	115.5	7/8	22



Waste Bin Pull Out



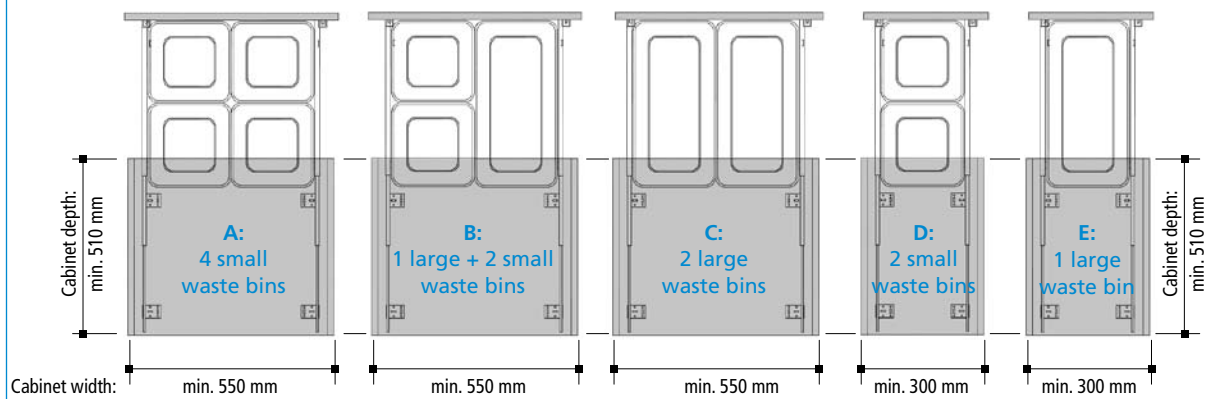
Features

- ▶▶ Easy assembly for super rigid frame design
- ▶▶ 100 lb full extension ball bearing slides
- ▶▶ Door mountable – fully adjustable mounting brackets included
- ▶▶ Multiple bin configurations possible

Waste Bin Pull Out with Full Extension Ball Bearing Slide

Item No.	Height		Width		Depth		Components	Finish
	inches	mm	inches	mm	inches	mm		
40321 46 029	19-1/16	484	10-3/16	259	19-5/16	490	Frame, slides, door hardware	Chrome
40321 46 033	19-1/16	484	19-5/8	498	19-5/16	490	Frame, slides, door hardware	Chrome

Options and Dimensions



Waste Bins

To be ordered separately for above shown Waste Bin Pull Outs.



Small Waste Container, 16 Qt.

Item No.	Height		Width		Depth		Color
	inches	mm	inches	mm	inches	mm	
40526 29 168	18	457	9-3/8	237	9-7/8	237	White
40526 33 170	18	457	9-3/8	237	9-7/8	237	Green
40526 30 172	18	457	9-3/8	237	9-7/8	237	Yellow
40526 26 174	18	457	9-3/8	237	9-7/8	237	Blue

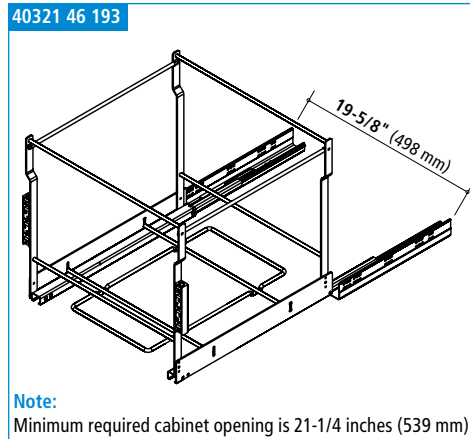
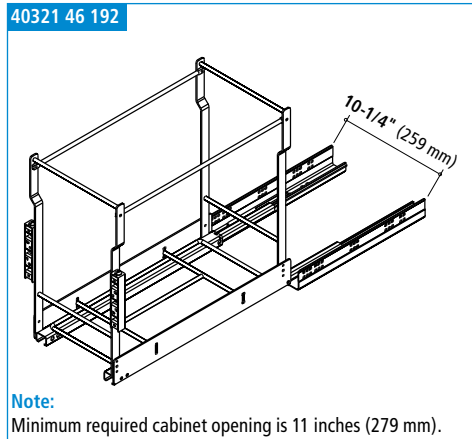
Features

- ▶ Easy assembly for super rigid frame design
- ▶ 100 lb full extension ball bearing slides
- ▶ Door mountable – fully adjustable mounting brackets included
- ▶ Multiple bin configurations possible



Waste Bin Pull Out with Full Extension Ball Bearing Slide

Item No.	Height		Width		Depth		Components	Finish
	inches	mm	inches	mm	inches	mm		
40321 46 192	19-1/16	484	10-3/16	259	19-5/16	490	Frame, soft close slides, door hardware	Chrome
40321 46 193	19-1/16	484	19-5/8	498	19-5/16	490	Frame, soft close slides, door hardware	Chrome



To be ordered separately for above shown Waste Bin Pull Outs.

Waste Bins



Large Waste Container, 37 Qt.

Item No.	Height		Width		Depth		Color
	inches	mm	inches	mm	inches	mm	
40526 29 167	18	457	18-7/8	479	9-7/8	237	White
40526 33 169	18	457	18-7/8	479	9-7/8	237	Green
40526 30 171	18	457	18-7/8	479	9-7/8	237	Yellow
40526 26 173	18	457	18-7/8	479	9-7/8	237	Blue

Single Waste Bin Pull Out with Cover



Single Waste Bin Pull Out with Cover and Full Extension Ball Bearing Slide

Item No.	Height		Width		Depth		Components	Finish	Cabinet Width	
	inches	mm	inches	mm	inches	mm			inches	mm
40321 46 031	17-1/4	439	10	253	19-1/4	490	Frame, slides, 1 blue bin with lid	Chrome	11-13/16	300

Soft Close Single Waste Bin Pull Out with Cover and Full Extension Ball Bearing Slide

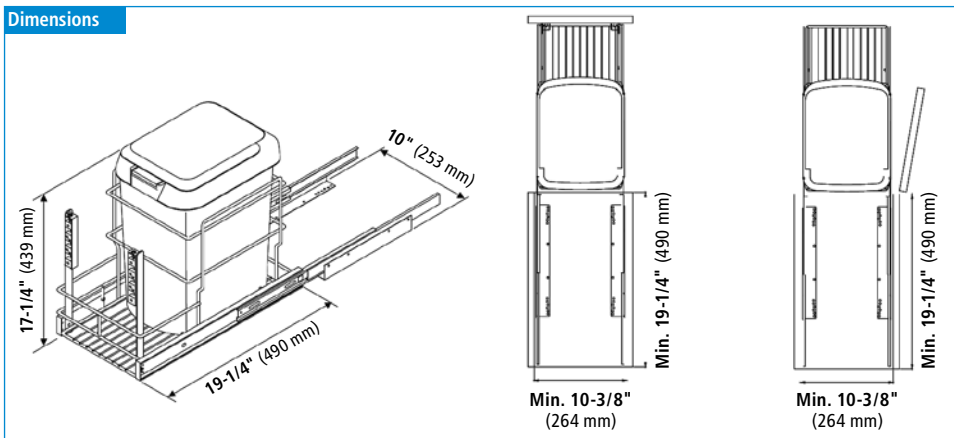
Item No.	Height		Width		Depth		Components	Finish	Cabinet Width	
	inches	mm	inches	mm	inches	mm			inches	mm
40321 46 032	17-1/4	439	10	253	19-1/4	490	Frame, soft close slides, 1 blue bin with lid	Chrome	11-13/16	300



Dimensions: Plastic Waste Bin with Lid

Height		Width		Depth	
inches	mm	inches	mm	inches	mm
16-1/2	420	9-7/8	250	12-9/16	320

Dimensions



Optional Item - to be ordered separately

Door brackets, chrome plated

Item No.	Height		Width		Depth	
	inches	mm	inches	mm	inches	mm
40959 83 183	1	25	1-3/16	30	11	279

Double Waste Bin Pull Out with Cover

Double Waste Bin Pull Out with Cover and Full Extension Ball Bearing Slide

Item No.	Height		Width		Depth		Components	Finish	Cabinet Width	
	inches	mm	inches	mm	inches	mm			inches	mm
40321 46 035	17-1/4	439	14-5/16	364	20-5/8	525	Frame, slides, 1 blue bin with lid, 1 grey bin with lid	Chrome	15-3/4	400



Soft Close Double Waste Bin Pull Out with Cover and Full Extension Ball Bearing Slide

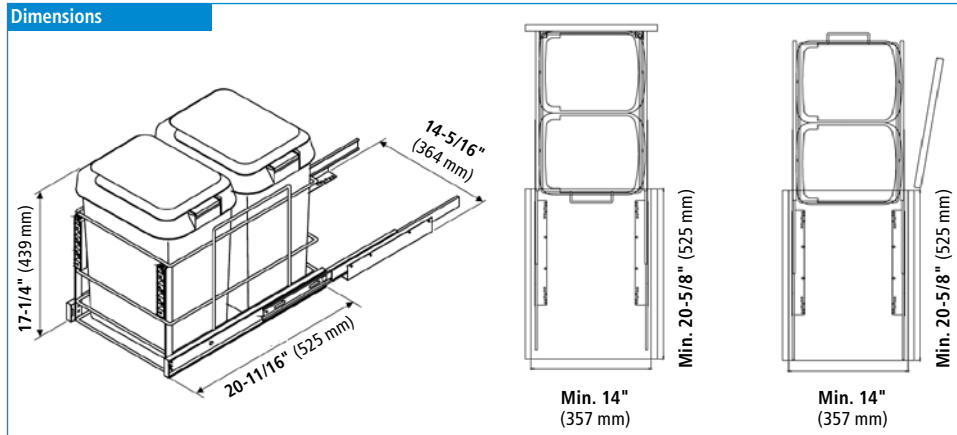
Item No.	Height		Width		Depth		Components	Finish	Cabinet Width	
	inches	mm	inches	mm	inches	mm			inches	mm
40321 46 036	17-1/4	439	14-5/16	364	20-5/8	525	Frame, soft close slides, 1 blue bin with lid, 1 grey bin with lid	Chrome	15-3/4	400

Dimensions: Plastic Waste Bin with Lid

Height	Width		Depth		
	inches	mm	inches	mm	
16-1/2	420	9-7/8	250	12-9/16	320



Dimensions



Optional Item - to be ordered separately

Door brackets, chrome plated

Item No.	Height		Width		Depth	
	inches	mm	inches	mm	inches	mm
40959 83 183	1	25	1-3/16	30	11	279



High Pull Out



High Pull Out, Inner Height 50–61-3/4" (1270–1570 mm)

Item No.	Height		Width		Depth		Components	Cabinet Width	
	inches	mm	inches	mm	inches	mm		inches	mm
40331 46 082	50–61-3/4	1270–1570	10-7/16	264	20-1/16	510	Frame, slides, 10 each 5" half baskets	11-13/16	300
40331 46 083	50–61-3/4	1270–1570	14-5/16	364	20-1/16	510	Frame, slides, 10 each 7" half baskets	15-3/4	400

High Pull Out, Inner Height 61-3/4–73-5/8" (1570–1870 mm)

Item No.	Height		Width		Depth		Components	Cabinet Width	
	inches	mm	inches	mm	inches	mm		inches	mm
40331 46 087	61-3/4–73-5/8	1570–1870	10-7/16	264	20-1/16	510	Frame, slides, 10 each 5" half baskets	11-13/16	300
40331 46 088	61-3/4–73-5/8	1570–1870	14-5/16	364	20-1/16	510	Frame, slides, 10 each 7" half baskets	15-3/4	400

High Pull Out, Inner Height 73-5/8–85-1/2" (1870–2170 mm)

Item No.	Height		Width		Depth		Components	Cabinet Width	
	inches	mm	inches	mm	inches	mm		inches	mm
40331 46 091	73-5/8–85-1/2	1870–2170	10-7/16	264	20-1/16	510	Frame, slides, 10 each 5" half baskets	11-13/16	300
40331 46 092	73-5/8–85-1/2	1870–2170	14-5/16	364	20-1/16	510	Frame, slides, 10 each 7" half baskets	15-3/4	400

Components

Slides



Half Basket (5" and 7" wide)



Heavy Duty High Pull Out, Inner Height 50–61-3/4" (1270–1570 mm)

Item No.	Height		Width		Depth		Components	Cabinet Width	
	inches	mm	inches	mm	inches	mm		inches	mm
40331 46 085	50–61-3/4	1270–1570	10-7/16	264	20-1/16	510	Frame, slides, 8 half baskets, 4 full baskets	11-13/16	300
40331 46 086	50–61-3/4	1270–1570	14-5/16	364	20-1/16	510		15-3/4	400

Heavy Duty High Pull Out, Inner Height 61-3/4–73-5/8" (1570–1870 mm)

Item No.	Height		Width		Depth		Components	Cabinet Width	
	inches	mm	inches	mm	inches	mm		inches	mm
40331 46 089	61-3/4–73-5/8	1570–1870	10-7/16	264	20-1/16	510	Frame, slides, 10 half baskets, 4 full baskets	11-13/16	300
40331 46 090	61-3/4–73-5/8	1570–1870	14-5/16	364	20-1/16	510		15-3/4	400

Heavy Duty High Pull Out, Inner Height 73-5/8–85-1/2" (1870–2170 mm)

Item No.	Height		Width		Depth		Components	Cabinet Width	
	inches	mm	inches	mm	inches	mm		inches	mm
40331 46 093	73-5/8–85-1/2	1870 - 2170	10-7/16	264	20-1/16	510	Frame, slides, 10 half baskets, 4 full baskets	11-13/16	300
40331 46 094	73-5/8 - 85-1/2	1870 - 2170	14-5/16	364	20-1/16	510		15-3/4	400



Components

Slides



Half Baskets



Full Baskets



Soft Close Butler's Pantry



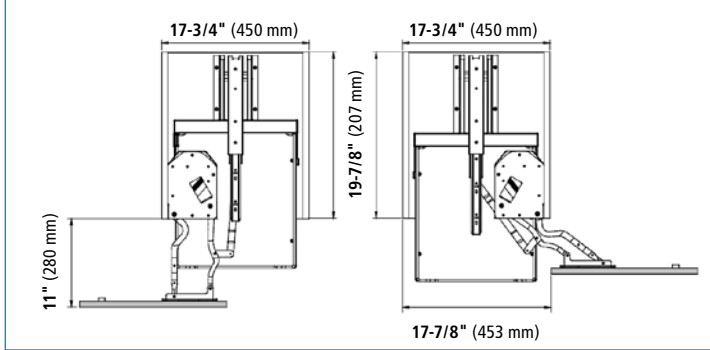
Features

- ▶ Linked mechanism smoothly pulls the pantry shelves out as the door is opened
- ▶ Door can open left or right
- ▶ Soft close for quiet operation and current design demands
- ▶ Shelves are fully adjustable
- ▶ All baskets have a non-skid solid bottom
- ▶ To adjustable height units available to meet cabinet size requirements
- ▶ Basket finish is in a satin stainless epoxy coating
- ▶ Frame finish is silver gray epoxy
- ▶ Maximum door thickness 1-3/16" (30mm)
- ▶ 360 lb load capacity

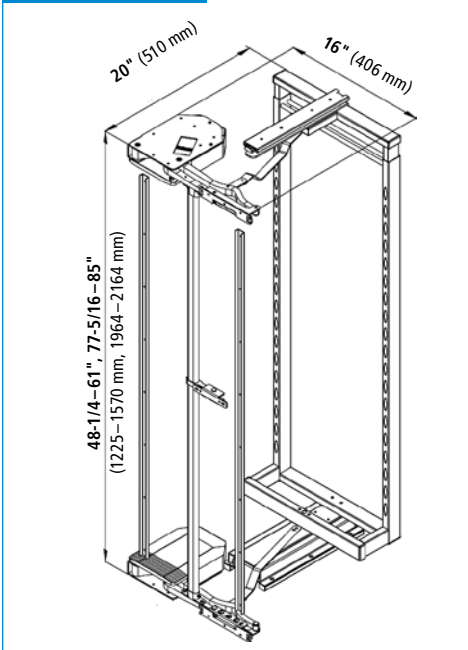
Soft Close Butler's Pantry

Item No.	Height		Width		Depth		Number of Baskets
	inches	mm	inches	mm	inches	mm	
40331 75 215	49-60	1225-1570	17	414	20	500	2 high + 2 low
40331 75 216	78-85	1964-2164	17	414	20	500	2 high + 4 low

Moving Distances



Frame Dimensions



Components

High Basket



Low Basket



West: toll free (800) 821-4007 · fax (714) 751-2366 · sales@usfutaba.com

Features

- ▶ Heavy duty soft close bottom slide and soft close ball bearing top slide for stability and smooth action
- ▶ Shelves are fully adjustable
- ▶ All baskets have a non-skid solid bottom
- ▶ Three adjustable height units available in two widths to meet cabinet size requirements
- ▶ Basket finish in satin stainless epoxy coating
- ▶ Frame finish is silver gray epoxy
- ▶ 450 lbs load capacity

Soft Close Tall Pantry Unit, min. Cabinet opening Width 11" (264 mm)

Item No.	Height		Cab. opening Width		Depth		Finish	Number of Baskets
	inches	mm	inches	mm	inches	mm		
40331 75 209	50-61	1270-1570	> 11	> 264	20	490	Chrome	4
40331 75 211	62-73	1570-1870	> 11	> 264	20	490	Chrome	5
40331 75 213	74-85	1870-2170	> 11	> 264	20	490	Chrome	6

Soft Close Tall Pantry Unit, min. Cabinet opening Width 15" (364 mm)

Item No.	Height		Cab. opening Width		Depth		Finish	Number of Baskets
	inches	mm	inches	mm	inches	mm		
40331 75 210	50-61	1270-1570	> 15	> 364	20	490	Chrome	4
40331 75 212	62-73	1570-1870	> 15	> 364	20	490	Chrome	5
40331 75 214	74-85	1870-2170	> 15	> 364	20	490	Chrome	6



Components

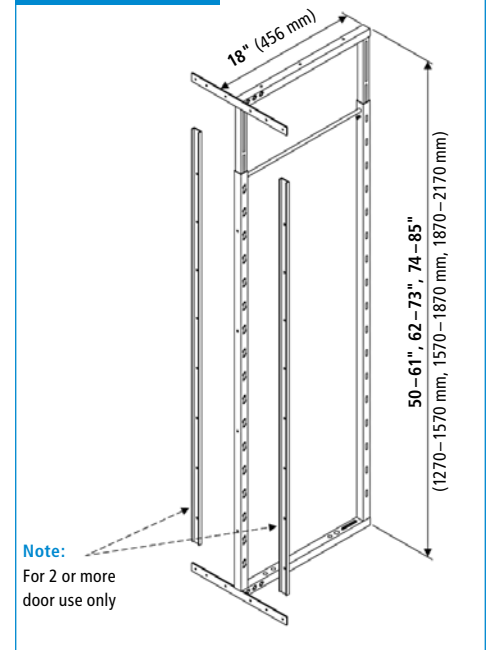
Slides



Basket, 4" (100 mm) high



Frame Dimensions



Soft Close Bus Door



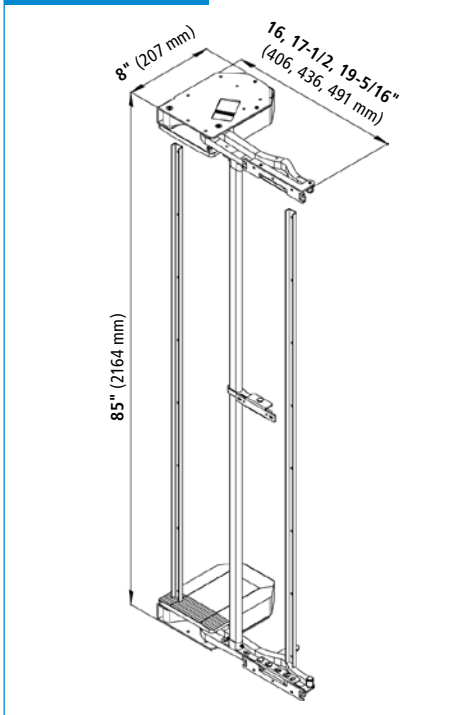
Features

- ▶ Perfect for narrow galley kitchen applications
- ▶ Gas piston makes opening and closing large doors easy
- ▶ Door pulls out away from the cabinet, then moves to the side revealing the contents of the cabinet
- ▶ Soft close for quiet operation and current design demands
- ▶ Vertical bar can be cut to handle smaller doors
- ▶ Maximum door thickness is 1-3/16" (30mm)
- ▶ Works for right or left openings
- ▶ Use two units for wide openings
- ▶ Three sizes to choose from
- ▶ Finish is silver gray epoxy

Soft Close Bus Door

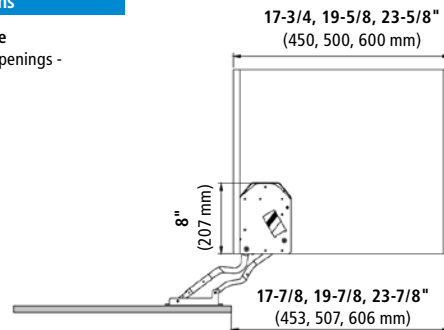
Item No.	Depth		Min. Cab. opening Width		Max. Door Width		Door Movement		Max. Door Weight	
	inches	mm	inches	mm	inches	mm	inches	mm	lbs	kgs
40331 85 199	8	200	17	414	18	450	17	445	55	25
40331 85 200	8	200	19	464	19	500	19	500	55	25
40331 85 201	8	200	23	564	23	600	23	600	55	25

Frame Dimensions



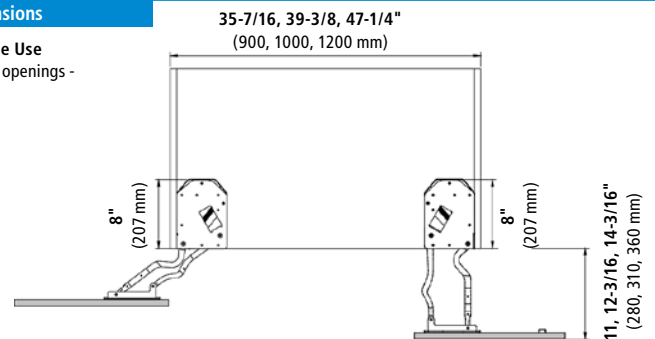
Dimensions

Single Use
- normal openings -



Dimensions

Double Use
- wide openings -



Inch - Millimeter		
Fraction	Decimal	Millimeter
1/64	.015625	.39668
1/32	.03125	.79375
3/64	.046875	1.19063
1/16	.0625	1.58750
5/64	.078125	1.98438
3/32	.09375	2.38125
7/64	.109375	2.77813
1/8	.125	3.17500
9/64	.140625	3.57188
5/32	.15625	3.9687
11/64	.171875	4.36563
3/16	.1875	4.7625
13/64	.203125	5.15938
7/32	.21875	5.55625
15/64	.234375	5.95313
1/4	.250	6.3500
17/64	.265625	6.74688
9/32	.28125	7.14375
19/64	.296875	7.54063
5/16	.3125	7.93750
21/64	.328125	8.33438
11/32	.34375	8.73125
23/64	.359375	9.12813
3/8	.375	9.5250
25/64	.390625	9.92188
13/32	.40625	10.31875
27/64	.421875	10.71563
7/16	.4375	11.11250
29/64	.453125	11.50938
15/32	.46875	11.90625
31/64	.48375	12.30313
1/2	.500	12.700

Inch - Millimeter		
Fraction	Decimal	Millimeter
33/64	.515625	13.09688
17/32	.53125	13.49375
35/64	.546875	13.89063
9/16	.5625	14.28750
37/64	.578125	14.68438
19/32	.59375	15.08125
39/64	.609375	15.47813
5/8	.625	15.87500
41/64	.640625	16.27188
21/32	.65625	16.66875
43/64	.671575	17.06563
11/16	.6875	17.46250
45/64	.703125	17.85938
23/32	.71875	18.25625
47/64	.734375	18.65312
3/4	.750	19.0500
49/64	.765625	19.44688
25/32	.78125	19.84375
51/64	.796875	20.24063
13/16	.8125	20.63750
53/64	.828125	21.03438
27/32	.84375	21.43125
55/64	.859375	21.8281
7/8	.875	22.22500
57/64	.890625	22.62188
29/32	.90625	23.01875
59/64	.921875	23.41563
15/16	.9375	23.81250
61/64	.953125	24.2093
31/32	.96875	24.60625
63/64	.984375	25.00313
1	1.000	25.4000

kg = lbs + oz.		
kg	lbs.	oz.
0.1	0	3 ^{1/2}
0.2	0	7
0.3	0	10 ^{1/2}
0.4	0	14
0.454	1	0
0.5	1	1 ^{1/2}
0.6	1	5
0.7	1	8 ^{3/4}
0.8	1	12 ^{1/4}
0.9	1	15 ^{3/4}
0.908	2	0
1.0	2	3 ^{1/4}
1.1	2	6 ^{3/4}
1.2	2	10 ^{1/4}
1.3	2	13 ^{3/4}
1.4	3	1 ^{1/4}
1.5	3	4 ^{3/4}
2.0	4	6 ^{1/2}
2.5	5	8
3.0	6	9 ^{3/4}
3.5	7	11 ^{1/4}
4.0	8	13
4.5	9	14 ^{1/2}
4.54	10	0
5.0	11	1/4
6.0	13	3 ^{1/2}
7.0	15	6 ^{3/4}
8.0	17	10
9.0	19	13 ^{1/4}
9.08	20	0
10	22	1/2
20	44	3/4
30	66	1 ^{1/4}
40	88	1 ^{3/4}
50	110	2

▶▶ Serving America with the world's best since 1983! ◀◀



01 Ball Bearing Slides

02 Drawer Systems

03 Hinges

04 Locks

05 Kitchen Solutions

06 Closet Rod and Accessories

07 Office Line

08 Functional Hardware

09 Flat Panel Solutions

10 Decorative Hardware

▶▶ West

2901 West Garry Ave.
Santa Ana, CA 92704
Phone (800) 821-4007
Fax (714) 751-2366

East ◀◀

525 Byron Street
Chesapeake, VA 23320
Phone (877) 293-0584
Fax (757) 549-9794