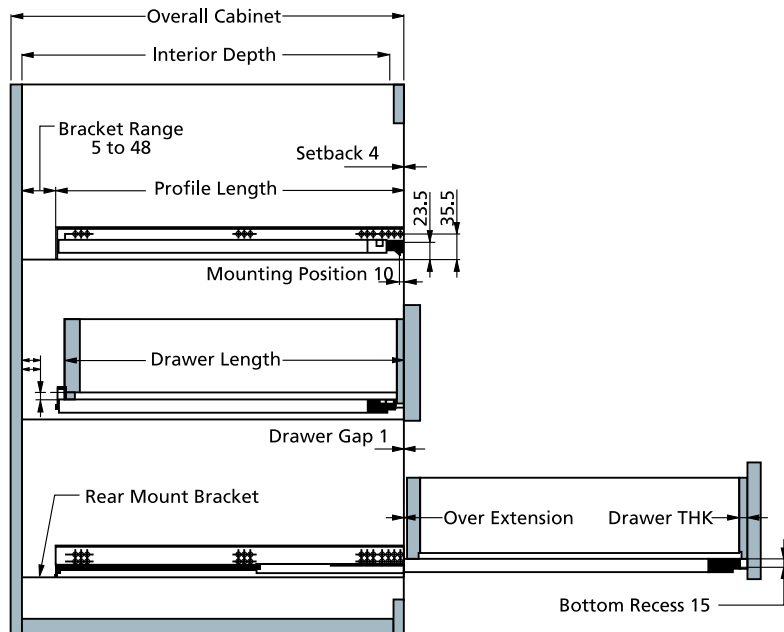
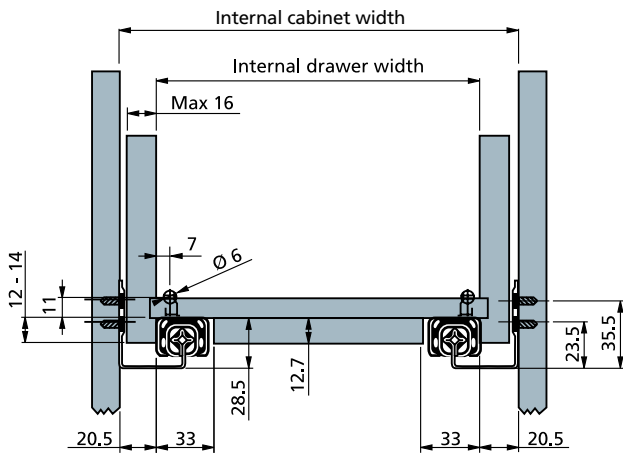


2030 Concealed Under Mount Slide

Full Extension with integrated Soft-Close Mechanism



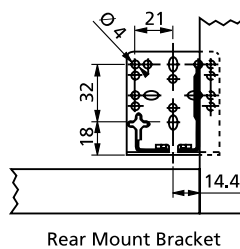
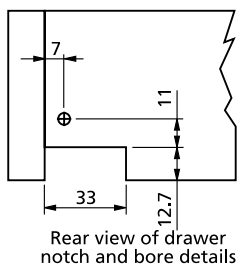
Internal drawer width = internal cabinet width - 1 5/8" = 41 mm



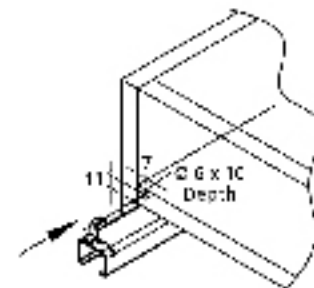
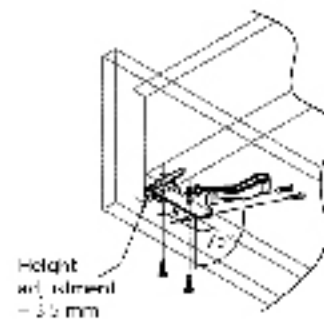
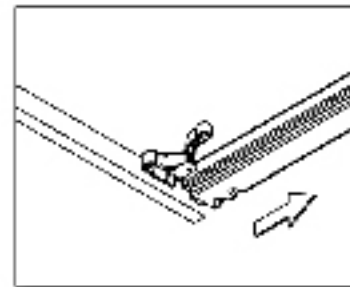
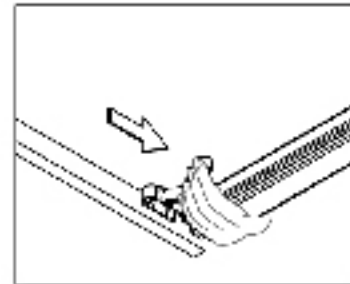
Calculation of outside drawer width

Drawer side thickness of:	5/8" (16 mm)	1/2" (12.8 mm)
Deduct of internal carcase width:	3/8" (10 mm)	5/8" (16 mm)

Example: for 21" internal cabinet width and 5/8" drawer material: 21" minus 3/8" = 20 5/8" drawer width



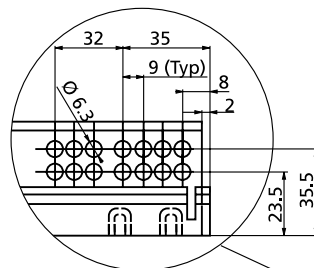
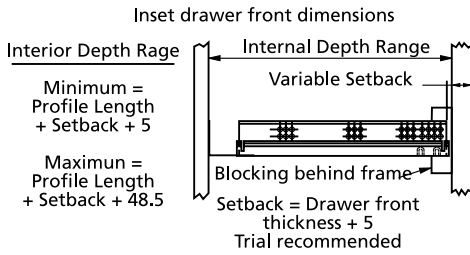
Drawer Removal and Installation



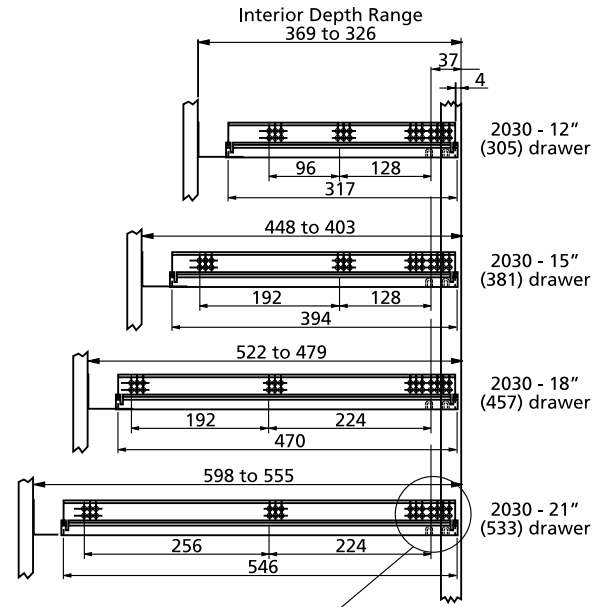
Full Extension with integrated Soft-Close Mechanism

Features

- Full Extension
- Cr-free galvanized steel
- Suited to wooden drawer
- 1.75" (45 mm) stroke of soft close
- 100% ball bearing construction
- Oil filled soft-close cylinder
- Load rating 100 lbs per pair at 21" length
- ANSI/BHMA certified
- WIC certified
- Conforms to ANSI/BIFMA 156.9-2003 for grade 1 products
- 6 poly bagged pair per box complete with front mounting clips, rear mounting bracket and screws



Detail of front holes



Model 2030

Slide Size	Cabinet Depth	Interior Depth		Drawer Length	Max. Drawer Thickness	Profile Length
		Max.	Min.			
2030-12"	15" (381 mm)	369	326	12" (305 mm)	16 mm	317 mm
2030-15"	18" (457 mm)	446	403	15" (381 mm)	16 mm	394 mm
2030-18"	21" (533 mm)	522	479	18" (457 mm)	16 mm	470 mm
2030-21"	24" (610 mm)	598	555	21" (533 mm)	16 mm	546 mm