



No.11, Aly. 52, Ln. 413, Yingtao Rd., Yingge Dist.,  
New Taipei City 239, Taiwan (R.O.C.)

T: +886-2-2677-7429 F: +886-2-2677-7142

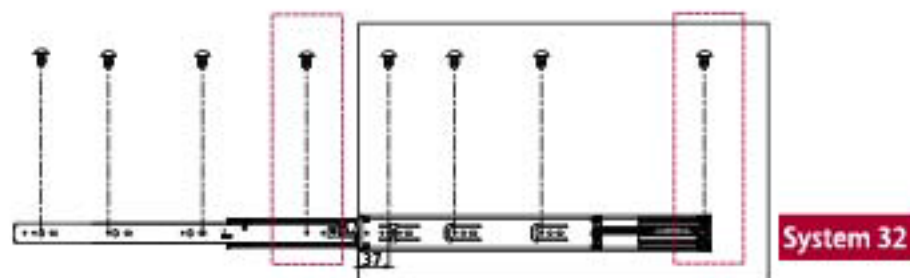
REPON www.repongroupp.com

## QUICK INSTALLATION GUIDE OF NJ-35D65 Soft Close

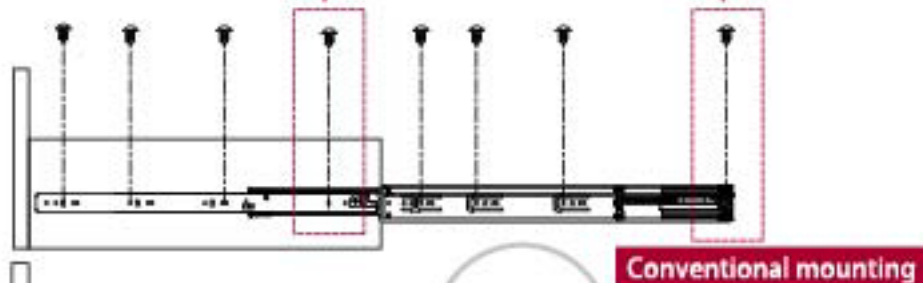
### Notification and Installation suggestion

#### ⚠ Very Important

Screw heads must firmly attach against either outer or inner slide member.  
Recommend to use  $\varnothing 4$  wood round head screws or counter-sunk screws.



Do not use the marked holes for fastening except for length 300mm and 350mm.

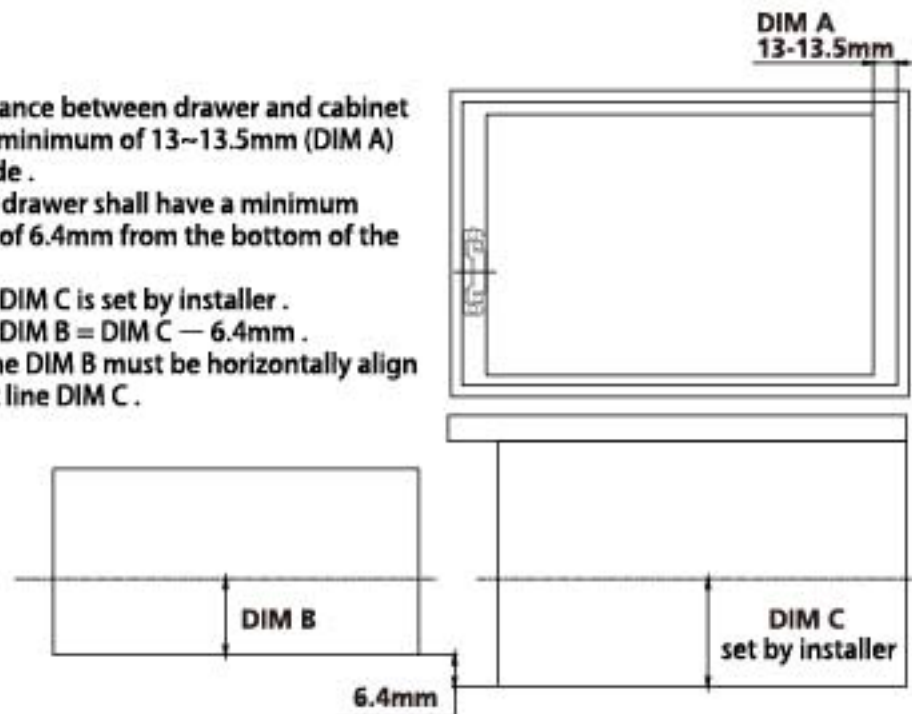


Make sure no screws being put on the marked holes of inner member for slide length longer than 400mm (including 400mm). If so, please remove it.

\*\* For slide length from 300mm to 350mm, please do not use on any cabinet wider than 500mm.

### Technical information :

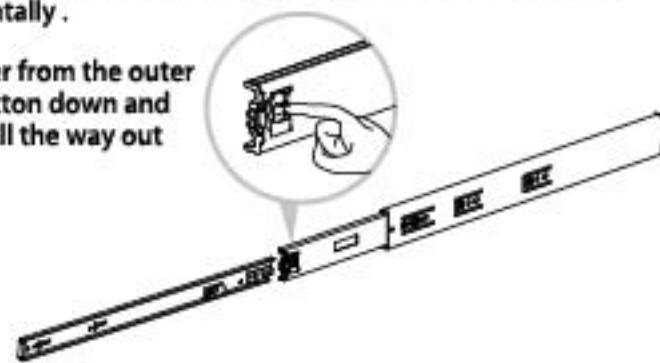
- Slide clearance between drawer and cabinet must be a minimum of 13~13.5mm (DIM A) on each side.
- Bottom of drawer shall have a minimum clearance of 6.4mm from the bottom of the cabinet.
- Height of DIM C is set by installer.
- Height of DIM B = DIM C - 6.4mm.
- Drawer line DIM B must be horizontally align to cabinet line DIM C.



### Step 1 > INSTALL OUTER MEMBER TO CABINET

※ Note — For proper performance, ensure slides are mounted parallel to each other vertically and horizontally.

↓ To separate the inner member from the outer member, push the yellow button down and then pull the inner member all the way out until it is disconnected.





No.11, Aly. 52, Ln. 413, Yingtao Rd., Yingge Dist.,  
New Taipei City 239, Taiwan (R.O.C.)

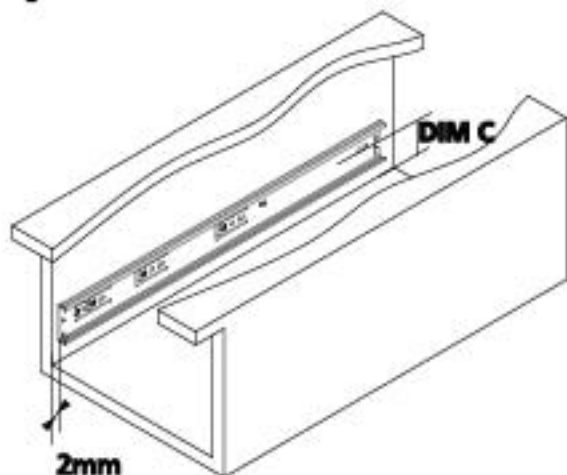
T: +886-2-2677-7429 F: +886-2-2677-7142

REPON www.repongroupp.com

## QUICK INSTALLATION GUIDE OF NJ-35D65 Soft Close

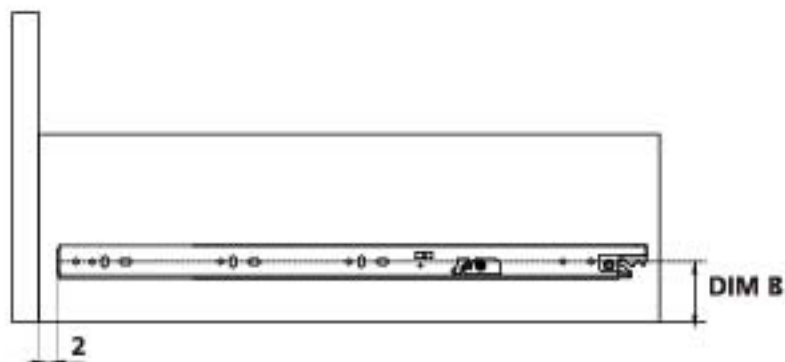
### Technical information :

- ✎ Align center line of outer member to DIM C line and place the slide 2mm back from the front edge of cabinet .



### Step 2 > INSTALL INNER MEMBER TO DRAWER

- ✎ Align center line of inner member to DIM B line and place inner member 2mm back from the edge of drawer. If a bumper is to be used, place the inner member 2mm + thickness of the bumper from the front edge of drawer .



### Step 3 > INSERT DRAWER INTO CABINET

- ✎ Make sure the bearing retainers are set to the front of slides. Insert inner member into the outer member and then push the drawer all the way in . Never use excessive force inserting the drawer .

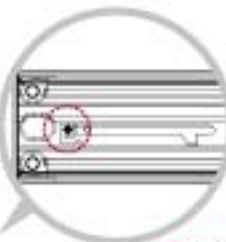
✎ **Note** — If the drawer can not be closed with ease, please remove the drawer and then insert again. Once the drawer still cannot be closed successfully, please GO BACK TO PAGE 1 and follow the suggestion .

### FINAL ADJUSTMENT/INSTALLATION

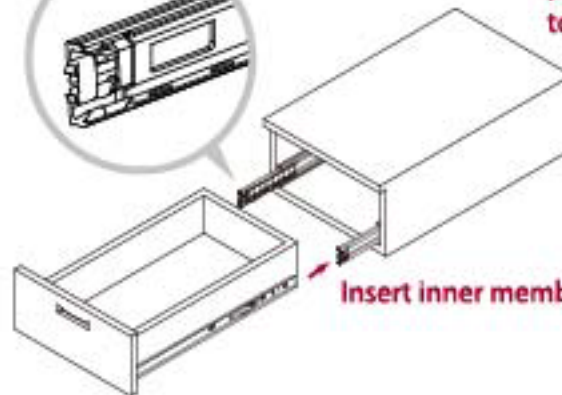
Try to open and close the drawer to check if the slides function correctly and make sure no screws are interfering during opening and closing of the drawer. Drawers should move smoothly without any obstruction .

There may be some resistance during the first time when balls in the retainer are being synchronized .

Make sure the bearing retainers are set to the front of slides



Positioning damping trigger to original point



Insert inner member to outer member