

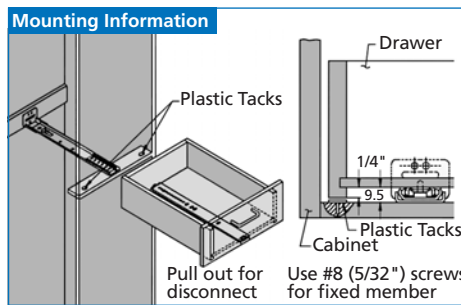
Features

- ▶ 3/4 extension
- ▶ Center mount
- ▶ Adjustment: 1-3/8"
- ▶ Load rating: 35 lbs. (all lengths)
- ▶ Electro zinc finish (black available)
- ▶ Lengths: 12" – 24"
- ▶ Packaging: 40 pieces per carton
- ▶ Friction disconnect

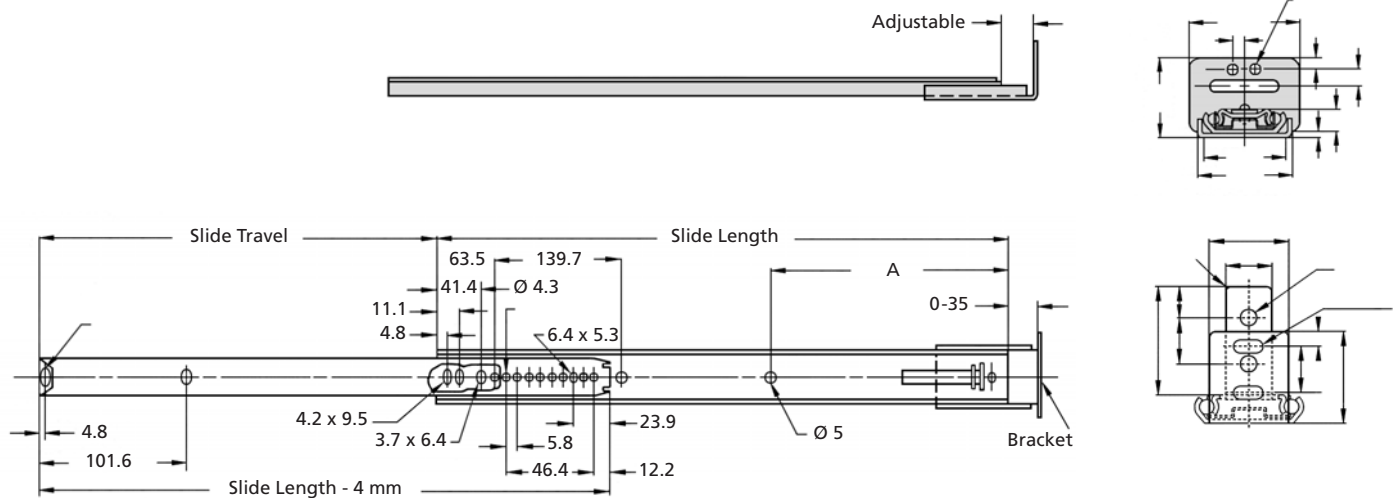
- ▶ Stays closed
- ▶ Rear mounting bracket will adjust to cabinet depth

Applications

- ▶ Bedroom furniture
- ▶ Bathroom cabinets
- ▶ Kitchen cabinets



Dimensions



Item Number	Length		Travel		A		Drawer Length		Cabinet Depth	
	Inches	mm	Inches	mm	Inches	mm	Inches	mm	Inches	mm
10341 04 060	12-3/4	324	8-7/8	224			10-5/8 - 12-1/2	270 - 318	13 - 14-1/2	270 - 318
10341 04 061	14-3/4	375	10-5/8	271			12-5/8 - 14-1/2	321 - 368	15 - 16-1/2	321 - 368
10341 04 064	16-3/4	425	12-3/16	310			14-5/8 - 16-1/2	372 - 419	17 - 18-1/2	372 - 419
10341 04 065	18-3/4	476	12-9/16	320	8-7/16	214	16-5/8 - 18-1/2	422 - 470	19 - 20-1/2	422 - 470
10341 04 066	20-3/4	527	15-1/2	393	8-7/16	214	18-5/8 - 20-1/2	473 - 521	21 - 22-1/2	473 - 521
10341 04 067	22-3/4	578	16-11/16	424	8-7/16	214	20-5/8 - 22-1/2	524 - 572	23 - 24-1/2	524 - 572
10341 04 068*	24-3/4	629	17-11/16	450	8-7/16	214	22-5/8 - 24-1/2	575 - 622	25 - 26-1/2	575 - 622

\* – Special Order only – call for current pricing, minimum order quantities and lead-time.