



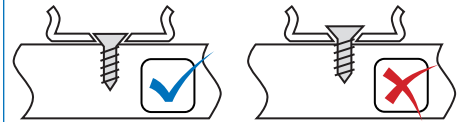
Features

- ▶ Full extension
- ▶ Side mount
- ▶ Height: 2-9/64" (54.5 mm)
- ▶ Lengths: 14" – 24"
- ▶ Side spacing: 1/2" (12.7 mm)
- ▶ Load rating: 130 lbs. (18" Length)
- ▶ Electro zinc finish (black available)
- ▶ Packaging: 10 pair per carton
- ▶ Breather tab self adjustment to accommodate variation for side clearance
- ▶ Trigger release disconnect
- ▶ Silent and smooth motion with 2" soft close stroke
- ▶ Patented integrated dampening mechanism – no hassle for grease leakage or drawer bounce
- ▶ Anti-rebound
- ▶ Non-handed
- ▶ Screw mounting system is 32 mm compatible
- ▶ Easy access window to reach hole in cabinet member in closed position
- ▶ Use only flat head screws to mount
- ▶ RoHS/ANSI/BIFMA/BHMA compliant

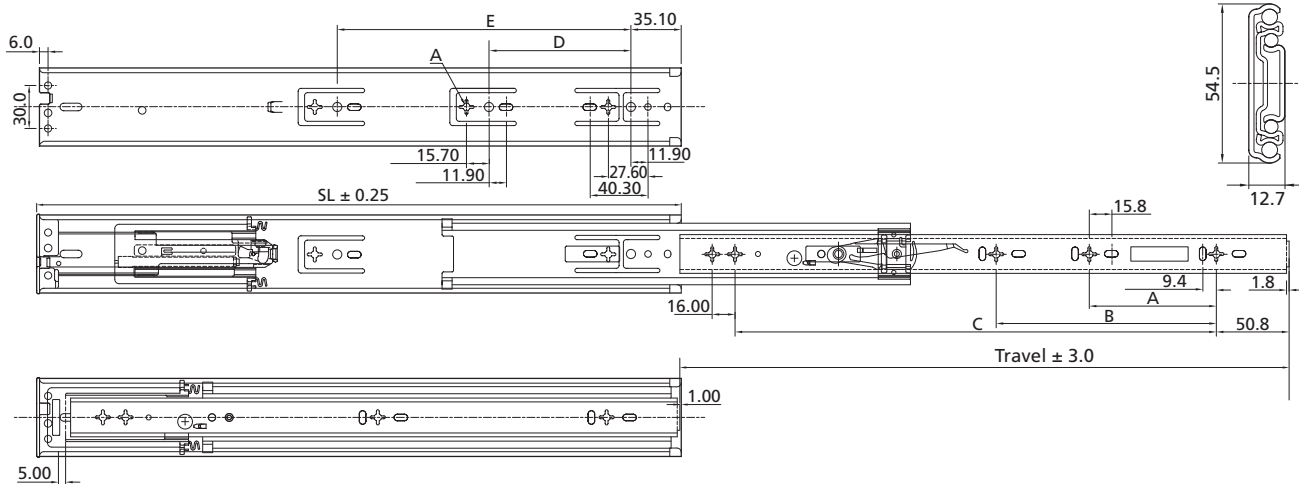
Applications

- ▶ Commercial furniture
- ▶ Mechanical equipment
- ▶ Electronic enclosures
- ▶ File drawers
- ▶ Kitchens

Screws **must** be flushed under the drawer member through the star shaped holes or else it may cause self close to malfunction. Leave the screws loose for final adjustment.



Dimensions



Item Number	Length		Travel		A		B		C		D		E	
	Inches	mm	Inches	mm	Inches	mm	Inches	mm	Inches	mm	Inches	mm	Inches	mm
12516 04 165*	14	350	11	279					9-1/2	240				
12516 04 166*	16	400	13-7/8	352	3-3/4	96			11-3/8	288	5	128		
12516 04 164	18	450	16-3/4	425	6-1/4	160			13-1/4	336	6-1/4	160		
12516 04 163	20	500	20	500	3-3/4	96	7-9/16	192	15-1/8	384	5	128	8-13/16	224
12516 04 149	22	550	22	550	5	128	8-13/16	224	17-5/8	448	5	128	10-1/16	256
12516 04 167*	24	600	24	600	6-1/4	160	10-1/16	256	18-7/8	480	6-1/4	160	12-5/8	320

* – Special Order only – call for current pricing, minimum order quantities and lead-time.