

Features

- ▶▶ 5 knuckle hinge
- ▶▶ .11 (3 mm) steel
- ▶▶ Hospital tips
- ▶▶ Holes are countersunk for #8 screws or euro screws
- ▶▶ Slotted holes for adjustment
- ▶▶ 32 mm hole pattern

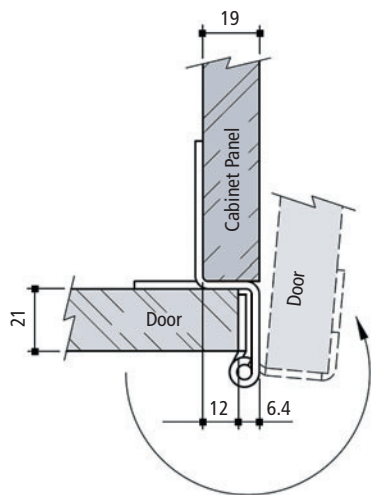
Applications

- ▶▶ Entertainment furniture
- ▶▶ Work stations
- ▶▶ Medical furniture

Thickness Door 13/16" (21 mm), Panel 3/4" (19 mm)

Item Number	Finish
24111 75 010	Satin Chrome Plated

Opening dimensions



Dimensions and hole drilling pattern

