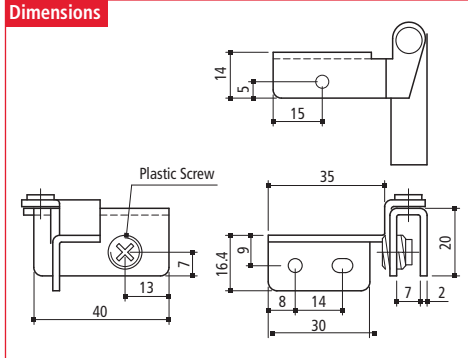
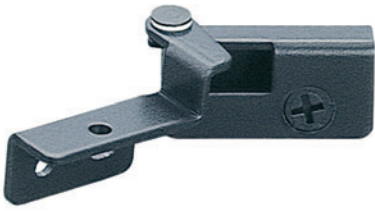


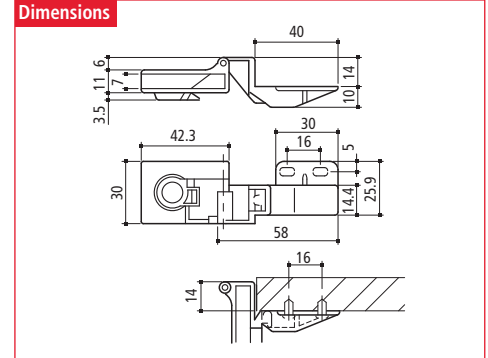
Overlay Glass Door Hinges



▶▶ Weight capacity: 19 lbs. (9 kg)

40 x 20 mm · Includes 2 hinges, 2 screws

Item Number	Glass Thickness		Finish
	Inch	mm	
24311 01 029	1/8 - 3/16	3 - 5	Black Zinc Plated
24311 55 042	1/8 - 3/16	3 - 5	Brass
24311 46 035	1/8 - 3/16	3 - 5	Chrome

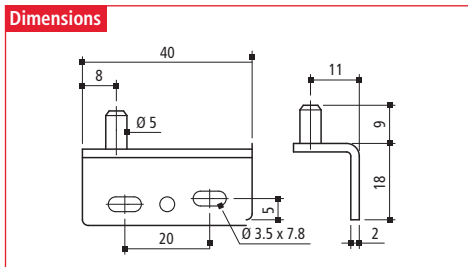
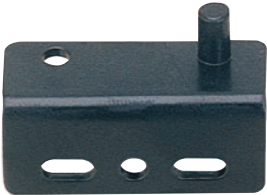


▶▶ Weight capacity: 19 lbs. (9 kg)

Self-Closing · Includes 2 hinges, 2 rubber pads, 2 screws

Item Number	Glass Thickness		Finish
	Inch	mm	
24311 01 031	max. 3/16	max. 5	Black Zinc Plated
24311 55 044	max. 3/16	max. 5	Brass
24311 46 037	max. 3/16	max. 5	Chrome

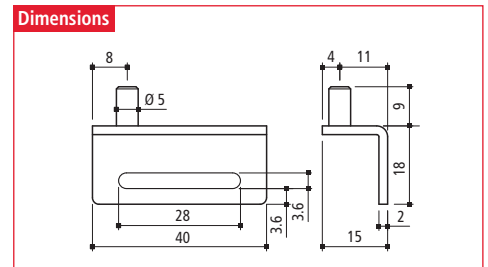
Wood Door Pivot Hinges



▶▶ Weight capacity: 11 lbs. (5 kg)

4 mm Inset · Pair with 2 bushings and 4 screws

Item Number	Pin Ø Diameter		Finish
	Inch	mm	
24111 01 001	3/16	5	Black



▶▶ Weight capacity: 11 lbs. (5 kg)

5 mm Inset

Item Number	Pin Ø Dia.		Type	Finish
	Inch	mm		
24111 01 002*	3/16	5	left	Black
24111 01 003*	3/16	5	right	Black

* - Special Order only - call for current pricing, minimum order quantities and lead-time.