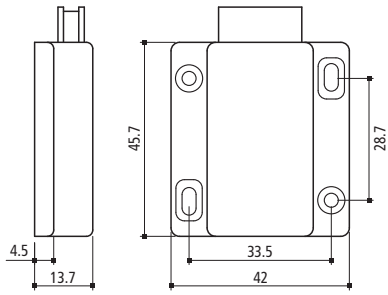


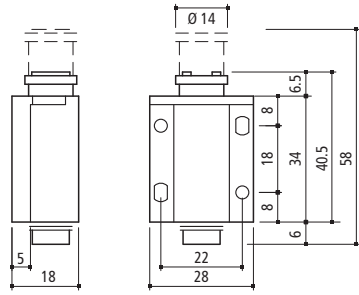
Magnetic Push Latches



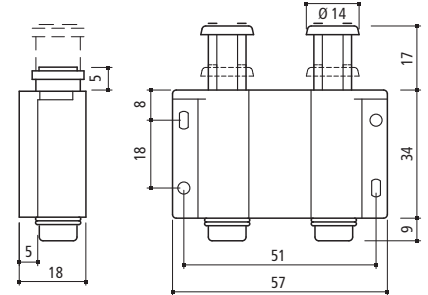
Dimensions Single Type



Dimensions Round Single Type



Dimensions Round Double Type



▶▶ Pull force: 2.2 lbs. (1 kg)

▶▶ Pull force: 6.61 lbs. (3 kg)

▶▶ Pull force: 13.23 lbs. (6 kg)

With strike and screw

Single Packaging - With strike and screw

Single Packaging - With strike and screw

Item Number	Hole Distance c.c.		Finish
	Inch	mm	
73113 12 023	1/4	32	Black
73113 14 025	1/4	32	Brown
73113 29 024	1/4	32	White

Item Number	Hole Distance c.c.		Finish
	Inch	mm	
73313 12 044	7/8	22	Black
73313 14 046	7/8	22	Brown
73313 29 047	7/8	22	White

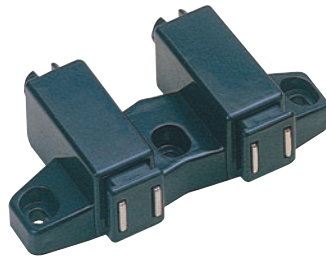
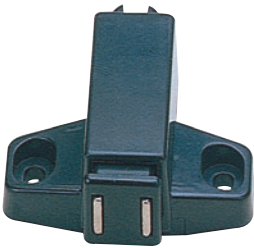
Item Number	Hole Distance c.c.		Finish
	Inches	mm	
73313 12 048	2	51	Black
73313 14 050	2	51	Brown
73313 29 051	2	51	White

Bulk Packaging

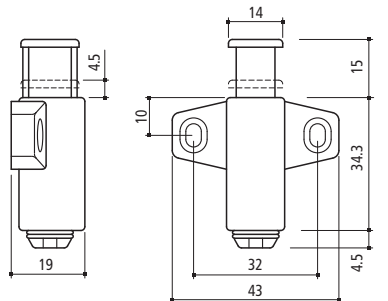
Item Number	Hole Distance c.c.		Finish
	Inch	mm	
73313 12 045	7/8	22	Black

Bulk Packaging

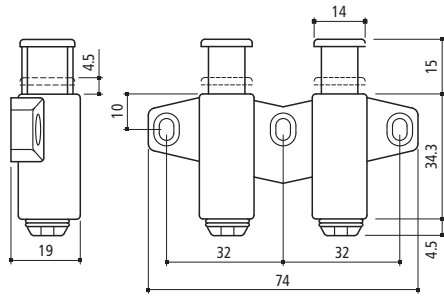
Item Number	Hole Distance c.c.		Finish
	Inches	mm	
73313 12 049	2	51	Black



Dimensions Square Single Type



Dimensions Square Double Type



▶▶ Pull force: 6.61 lbs. (3 kg)

▶▶ Pull force: 13.23 lbs. (6 kg)

Item Number	Hole Distance c.c.		Finish
	Inches	mm	
73113 12 019	1-1/4	32	Black

Item Number	Hole Distance c.c.		Finish
	Inches	mm	
73113 12 021	2-1/2	64	Black