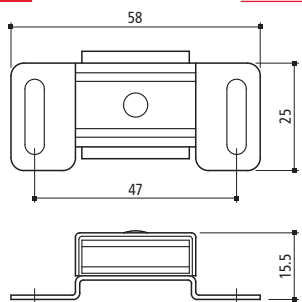


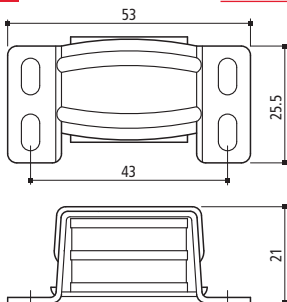
Aluminium Magnetic Catches



Dimensions Square Single Type



Dimensions Square Double Type



▶▶ Pull force: 5.51 lbs. (2.5 kg)

With strike and screw

▶▶ Pull force: 11.02 lbs. (5 kg)

With strike and screw

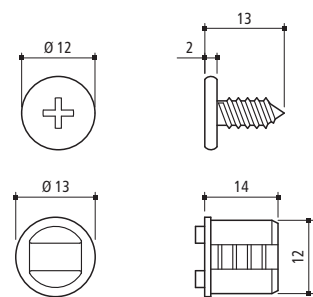
Item Number	Hole Distance c.c.		Finish
	Inches	mm	
73111 40 005	1-13/16	47	Aluminum

Item Number	Hole Distance c.c.		Finish
	Inches	mm	
73111 40 006	1-11/19	42	Aluminum

Mortise Magnetic Catches



Dimensions Round Single Type



▶▶ Pull force: 4.41 lbs. (2 kg)

With strike and screw

Item Number	Ø Drill Hole		Finish
	Inch	mm	
74331 12 002	1/2	12	Black