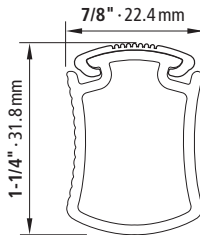


Aluminum Hourglass Closet Rod



Dimensions



Features

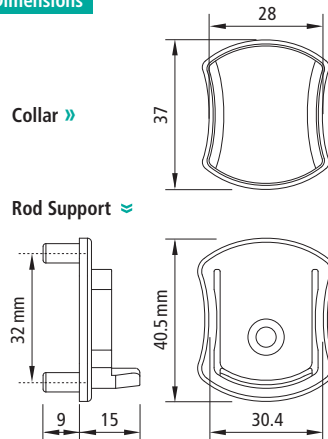
- ▶ Material Thickness: .07" · 1.8 mm · 15 gauge
- ▶ Seamless
- ▶ Unique hourglass shape
- ▶ Reversible design, ribbed on one side, smooth on one side
- ▶ Protective clear strip
- ▶ Locking collar secures rod in position
- ▶ Anodized finish

Item Number	Finish	Length		Dimensions H x W	
		ft	m	Inches	mm
53525 48 052	Dull Chrome	8	2.44	1-1/4 x 7/8	31.8 x 22.4
53525 49 053	Dull Nickel	8	2.44	1-1/4 x 7/8	31.8 x 22.4
53525 53 055	Oil Rubbed Bronze	8	2.44	1-1/4 x 7/8	31.8 x 22.4

Supports for Aluminum Hourglass Closet Rod



Dimensions



Features

- ▶ 32 mm system with 5 mm pins
- ▶ Hole for fixing screw
- ▶ Covers rod ends for a clean appearance
- ▶ Easy repositioning for added flexibility

Item Number	Finish	Type	Mount
54221 48 112	Dull Chrome	2 Piece	5 mm pin
54221 49 113	Dull Nickel	2 Piece	5 mm pin
54221 53 115	Oil Rubbed Bronze	2 Piece	5 mm pin

Installation

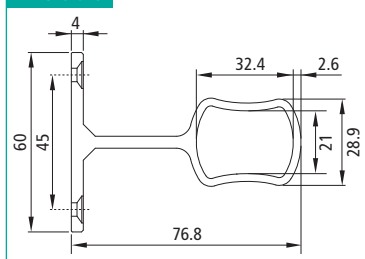
Insert support mounting base to desired height. Cut rod to desired length. Slide collars onto closet rod ends. Place closet rod onto support mounting base ① and slide collar ② over support mounting base to secure in place.

Center Supports for Aluminum Hourglass Closet Rod



NEW ITEM

Dimensions



Features

- ▶ Solid aluminum in 3 finishes

Screw Mount #8 x 3/4" screws included			
Item Number	Finish	Type	Mount
54223 48 121	Dull Chrome	closed	screw
54223 49 122	Dull Nickel	closed	screw
54223 53 124	Oil Rubbed Bronze	closed	screw