



Features

- ▶ Attractive matching finish
- ▶ Steel, 3 mm thickness
- ▶ Overall dimensions:
Height 10-7/8" · 275 mm
Depth 11-3/4" · 298 mm
Width 1" · 25 mm
- ▶ Supports oval rod 30 x 15mm
- ▶ Shelf material up to 14" deep
- ▶ Load capacity: 110 lbs. · 50 kgs
- ▶ Screws are included

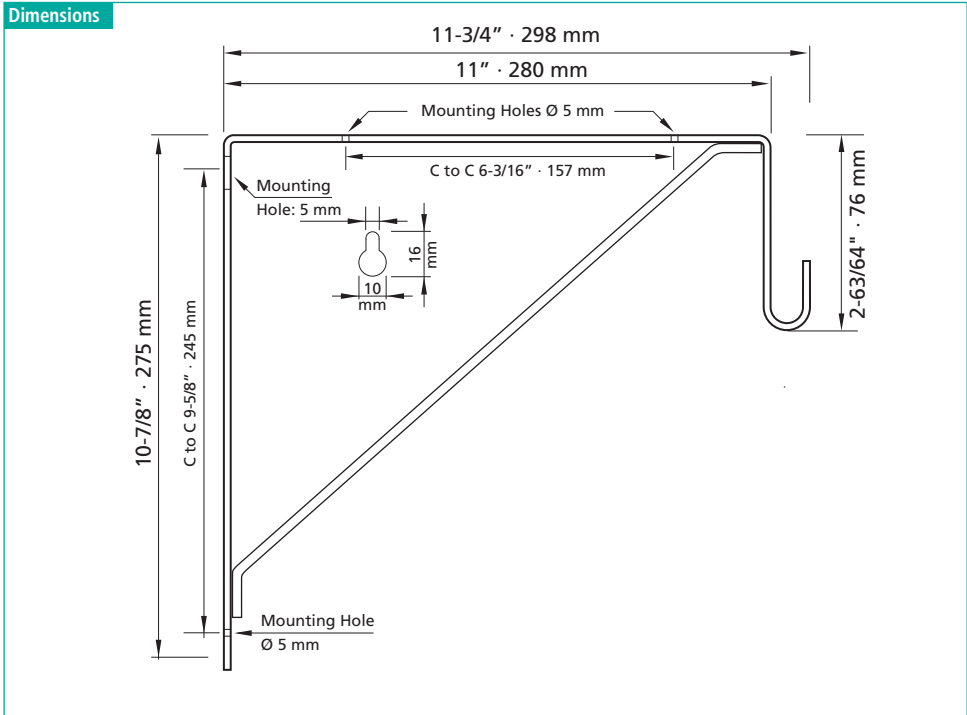
Applications

- ▶ Closets where a shelf is needed
- ▶ Extra support for long spans or heavy loads
- ▶ Laundry rooms
- ▶ Garages

NEW SERIES!
AVAILABLE IN MATCHING
CLOSET ROD FINISHES

05

Dimensions



Item Number	Finish	for Rod Dimension Inches	mm
72535 46 185	Chrome	1-1/8 x 5/8	30 x 15
72535 47 186	Dull Brass	1-1/8 x 5/8	30 x 15
72535 48 187	Dull Chrome	1-1/8 x 5/8	30 x 15
72535 49 188	Dull Nickel	1-1/8 x 5/8	30 x 15
72535 51 189	Matte Black	1-1/8 x 5/8	30 x 15
72535 53 190	Oil Rubbed Bronze	1-1/8 x 5/8	30 x 15