

Features

- ▶▶ 1" over travel
- ▶▶ Side mount
- ▶▶ Height: 1-13/16" (45.4 mm)
- ▶▶ Side spacing: 1/2" (12.7 mm)
- ▶▶ Load rating: 100 lbs. (18" length)
- ▶▶ Electro zinc finish (black available)
- ▶▶ Lengths: 10" – 28"
- ▶▶ Packaging:
  - 10" – 16" 20 pair per carton
  - 18" – 28" 10 pair per carton
- ▶▶ Patented butterfly release for easy disconnect
- ▶▶ Ball retainer detent for easy drawer re-install
- ▶▶ ANSI/BIFMA/BHMA compliant

- ▶▶ Hold-in detent
- ▶▶ Screw mounting system 32 mm compatible
- ▶▶ Bayonet mounting system available for metal enclosures
- ▶▶ Sockets for face frame application available

Applications

- ▶▶ Bedroom furniture
- ▶▶ Office furniture
- ▶▶ Kitchen cabinets
- ▶▶ Tool boxes

Optional Items – for detailed information please refer to page 25 –

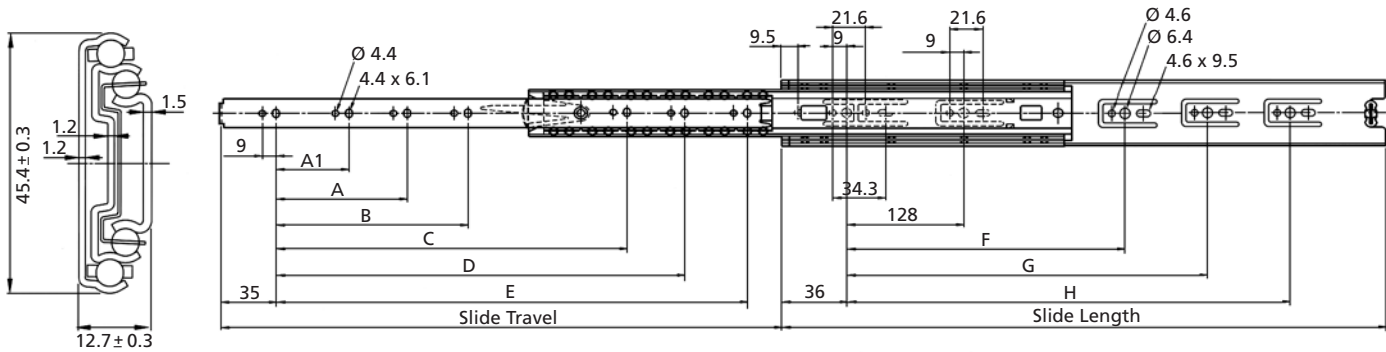


Item Number	Face Frame Rear Mounting Bracket
13159 05 082	Finish: Trivalent



Item Number	Adjustable Plate
13159 05 086	Finish: Trivalent

Dimensions



Item Number	Length		Travel		A1		A		B		C		D		E		F		G		H	
	Inches	mm	Inches	mm	Inches	mm	Inches	mm	Inches	mm	Inches	mm	Inches	mm	Inches	mm	Inches	mm	Inches	mm	Inches	mm
10416 04 124	10	250	10	254											7-9/16	192						
10416 04 125	12	300	12	305											9-1/2	242	8-7/8	224				
10416 04 116	14	350	14	356	5	128									11-1/2	292	8-7/8	224				
10416 04 117	16	400	16	406	5	128			12-9/16	320					13-1/2	342	8-7/8	224	12-9/16	320		
10416 04 118	18	450	18	457	5	128			12-9/16	320					15-7/16	392	8-7/8	224	13-7/8	352		
10416 04 119	20	500	20	508	5	128	7-9/16	192	12-9/16	320					17-3/8	442	8-7/8	224	16-3/16	416		
10416 04 120	22	550	22	559	5	128	8-7/8	224			16-3/8	416			19-3/8	492	8-7/8	224	13-7/8	352	17-5/8	448
10416 04 121	24	600	24	610	5	128	8-7/8	224			16-3/8	416			21-3/8	544	8-7/8	224	13-7/8	352	18-7/8	480
10416 04 122	26	650	26	660	5	128	8-7/8	224			16-3/8	416	21-3/8	544	23-1/4	592	8-7/8	224	13-7/8	352	21-3/8	544
10416 04 123	28	700	28	711	5	128	8-7/8	224	11-3/8	288	16-3/8	416	21-3/8	544	25-1/4	642	8-7/8	224	13-7/8	352	21-3/8	544