



PATENTED PUSH BUTTON RELEASE

Features

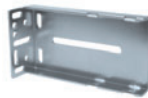
- ▶ Full extension
- ▶ Side mount
- ▶ Height: 1-13/16" (45.7 mm)
- ▶ Lengths: 12" – 28"
- ▶ Side spacing: 1/2" (+ 1/32" – 0")
12.7 mm (+ 0.38 mm – 0 mm)
- ▶ Load rating: 100 lbs. (22" length)
- ▶ Electro zinc finish (black available)
- ▶ Packaging: 10 pair per carton
- ▶ Screw mounting system is 32 mm compatible
- ▶ Patented push-button release for effortless drawer removal
- ▶ RoHS/ANSI/BIFMA/BHMA compliant

- ▶ Pull force per drawer:
12 – 22": 2.4 – 3.4 kg
24 – 28": 3.4 – 4.4 kg
- ▶ Patented "dry" damper soft close eliminating all leakage issues

Applications

- ▶ Kitchen cabinets
- ▶ Bedroom furniture
- ▶ Office furniture
- ▶ Commercial furniture

Optional Items – for detailed information please refer to page 25 –

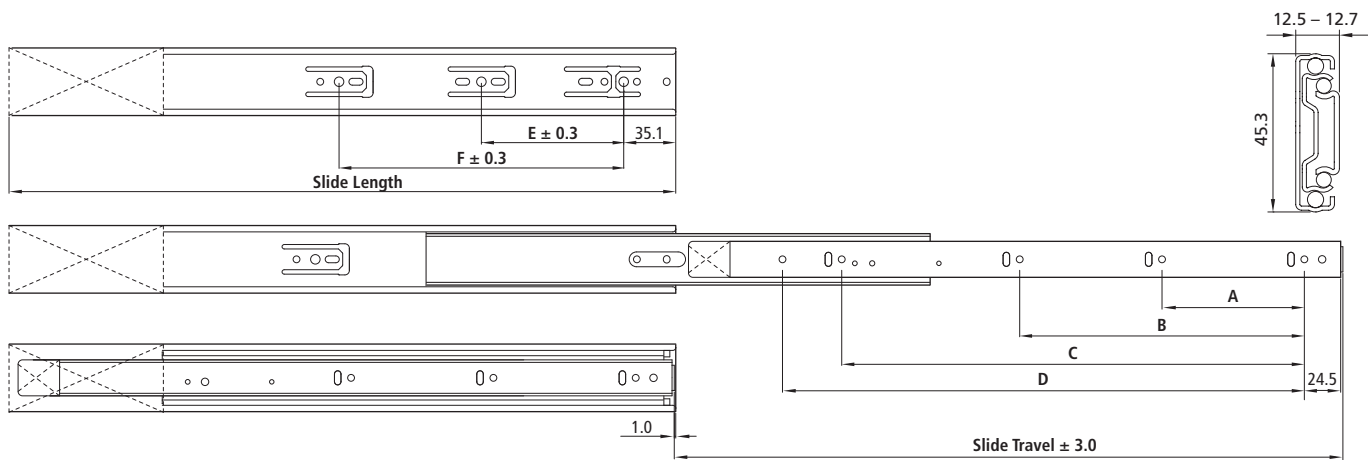


| Item Number | Face Frame Rear Mounting Bracket |
|--------------|----------------------------------|
| 13159 05 098 | Finish: Trivalent |



| Item Number | Adjustable Plate |
|--------------|-------------------|
| 13159 05 086 | Finish: Trivalent |

Dimensions



| Item Number | Length | | Travel | | A | | B | | C | | D | | E | | F | |
|--------------|--------|-----|--------|-----|--------|-----|---------|-----|--------|-----|----------|-----|---------|-----|---------|-----|
| | Inches | mm | Inches | mm | Inches | mm | Inches | mm | Inches | mm | Inches | mm | Inches | mm | Inches | mm |
| 12415 04 116 | 12 | 300 | 10 | 250 | 2-1/2 | 64 | | | | | 7-9/16 | 192 | | | | |
| 12415 04 117 | 14 | 350 | 12-1/2 | 315 | 3-3/4 | 96 | | | | | 10-1/16 | 256 | 3-3/4 | 96 | | |
| 12415 04 118 | 16 | 400 | 16 | 400 | 6-1/4 | 160 | | | | | 11-5/16 | 288 | 6-1/4 | 160 | | |
| 12415 04 119 | 18 | 450 | 18 | 450 | 3-3/4 | 96 | 7-9/16 | 192 | | | 13-7/8 | 352 | 3-3/4 | 96 | 7-9/16 | 192 |
| 12415 04 120 | 20 | 500 | 20 | 500 | 3-3/4 | 96 | 8-13/16 | 224 | | | 15-1/8 | 384 | 5 | 128 | 10 | 256 |
| 12415 04 121 | 22 | 550 | 22 | 550 | 3-3/4 | 96 | 8-13/16 | 224 | | | 17-5/8 | 448 | 6-1/4 | 160 | 12-9/16 | 320 |
| 12415 04 122 | 24 | 600 | 24 | 600 | 5 | 128 | 8-13/16 | 224 | 16-3/8 | 416 | 18-7/8 | 480 | 7-9/16 | 192 | 13-7/8 | 352 |
| 12415 04 123 | 26 | 650 | 26 | 650 | 5 | 128 | 11-5/16 | 288 | 17-5/8 | 448 | 21-7/16 | 544 | 7-9/16 | 192 | 16-3/8 | 416 |
| 12415 04 124 | 28 | 700 | 28 | 700 | 5 | 128 | 11-5/16 | 288 | 18-7/8 | 480 | 22-11/16 | 576 | 8-13/16 | 224 | 17-5/8 | 448 |