

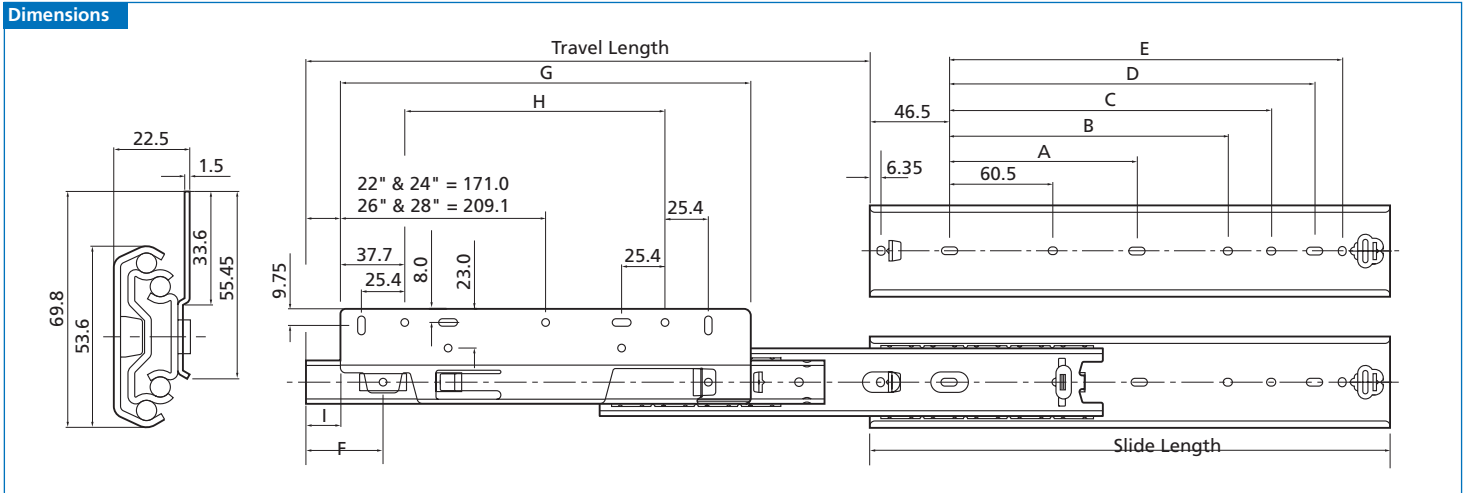
Features

- ▶ 1" over travel
- ▶ Side mount with mounting brackets
- ▶ Height: 2-3/4" (69.8 mm)
- ▶ Lengths: 14", 20" and 24"
- ▶ Side spacing: 7/8" (+ 1/32" - 0")
22.5 mm (+ 0.38 mm - 0 mm)
- ▶ Electro zinc finish (black available)
- ▶ Load rating: 180 lbs. (18" length)
- ▶ Packaging: 5 pair per carton
- ▶ Quick release brackets for easy drawer removal
- ▶ Anti-rebound
- ▶ Non-handed
- ▶ RoHS compliant

Applications

- ▶ Cash drawers
- ▶ Slot machines
- ▶ Battery trays

Dimensions



Item Number	Length		Travel		A		B		C		D		E		F		G		H		I	
	Inches	mm	Inches	mm	Inches	mm	Inches	mm	Inches	mm	Inches	mm	Inches	mm	Inches	mm	Inches	mm	Inches	mm	Inches	mm
11617 04 031	14	356	15	381			7-7/16	186	9	230	10	255	11	281	1-13/16	45	9-1/2	240	6	152	13/16	20
11617 04 034	20	508	21	534	8-1/2	216	13-7/16	339	15	382	16	408	17	433	2-1/4	58	12-1/2	317	8	203	1-1/4	33
11617 04 036	24	610	25	635	10-1/2	267	17-7/16	440	19	484	20	509	21	535	2-13/16	71	14-1/2	367	9-7/8	250	1-13/16	46