

Features

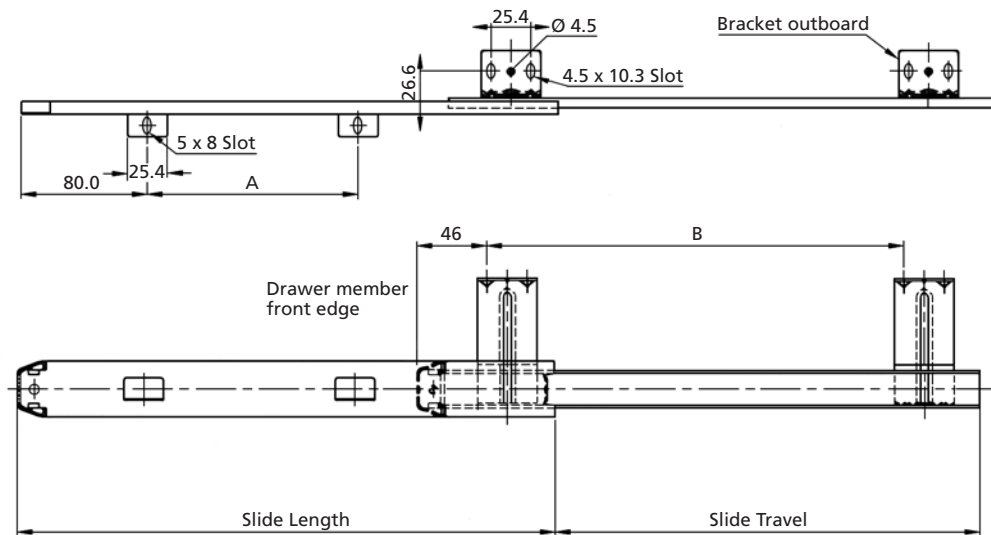
- ▶ 3/4 extension
- ▶ Cabinet members/brackets mount to underside of unit; drawer members are side mounted
- ▶ Height: 3-1/2"
- ▶ Load rating: 66 lbs.
- ▶ Electro zinc finish (black available)

- ▶ Lengths: 12", 14" and 18"
- ▶ Packaging: 10 pair per carton
- ▶ Positive detent-out and detent-in
- ▶ Plastic bumper prevents damage to furniture
- ▶ Mounting tabs for keyboard shelf

Applications

- ▶ Computer keyboard trays
- ▶ Center drawers
- ▶ Drawers beneath desks, countertops, or tabletops

Dimensions



Item Number	Length		Travel		A		B	
	Inches	mm	Inches	mm	Inches	mm	Inches	mm
10331 04 170	12	300	8-1/8	206	3-1/4	83	8-3/8	213
10331 04 049	14	350	9-5/8	244	5-1/4	133	10-3/8	264
10331 04 052	18	450	12-1/2	320	7-1/4	184	14-3/8	365