

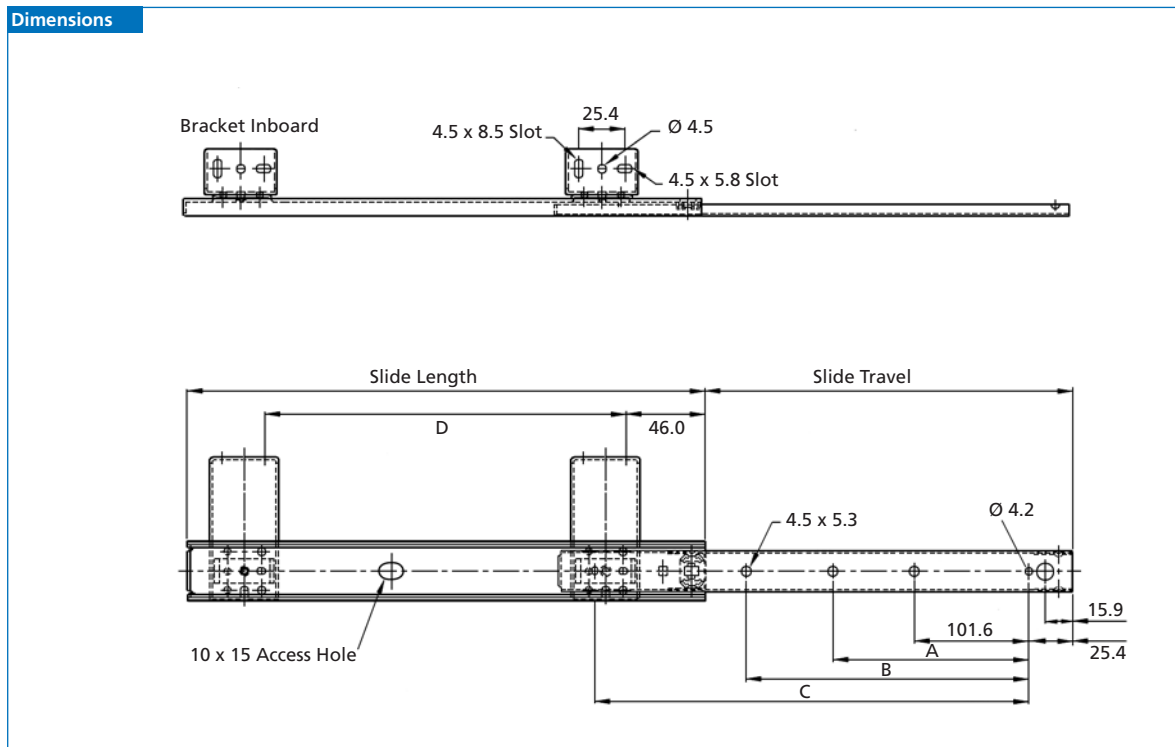
Features

- ▶ 3/4 extension
- ▶ Cabinet members/brackets mount to underside of unit; drawer members are side mounted
- ▶ Height Adjustable: 2-7/8" · 3-3/8" · 3-3/4"
- ▶ Load rating: 60 lbs.
- ▶ Electro zinc finish (black available)
- ▶ Lengths: 14" – 18"
- ▶ Packaging: 20 pair per carton
- ▶ Positive detent-out and detent-in
- ▶ Bracket for in- or out-board use

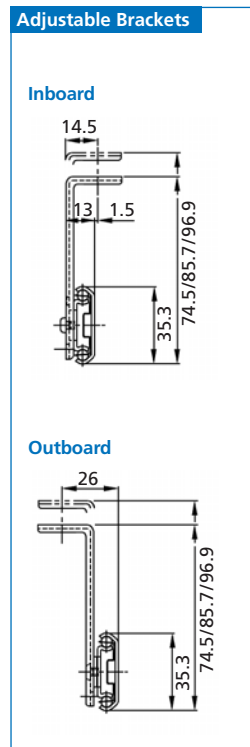
Applications

- ▶ Pencil drawers
- ▶ Center drawers
- ▶ Drawers beneath desks, countertops, or tabletops

Dimensions



Adjustable Brackets



Item Number	Length		Travel		A		B		C		D	
	Inches	mm	Inches	mm	Inches	mm	Inches	mm	Inches	mm	Inches	mm
10331 04 057	14	350	9-15/16	252			8	203	12	305	10-3/8	264
10331 04 058	16	400	11-3/8	289			10	254	14	356	12-3/8	314
10331 04 059	18	450	12-15/16	328	8	203	12	305	16	406	14-3/8	365