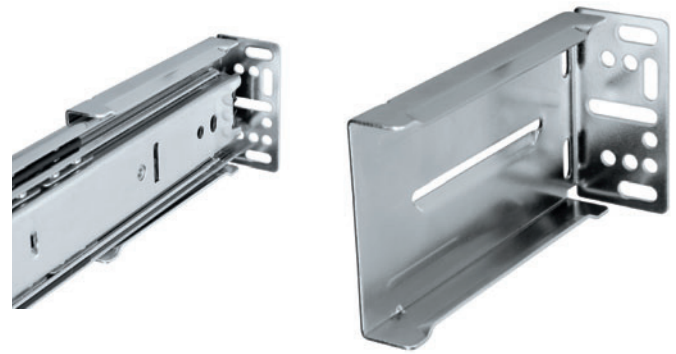
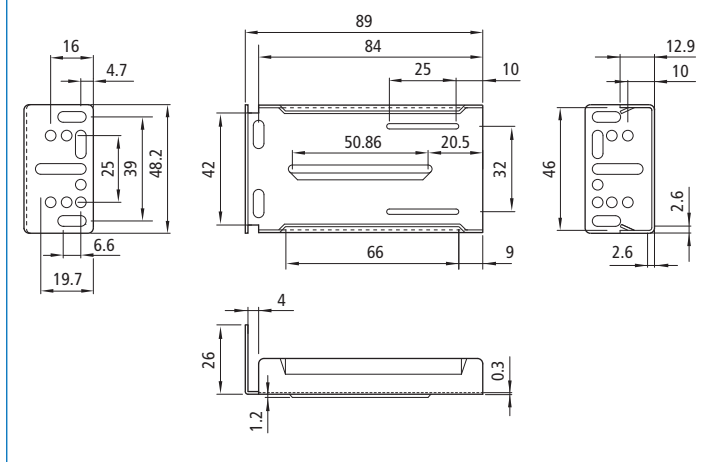


Dimensions



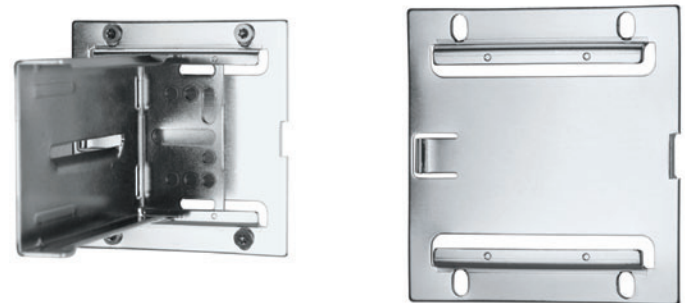
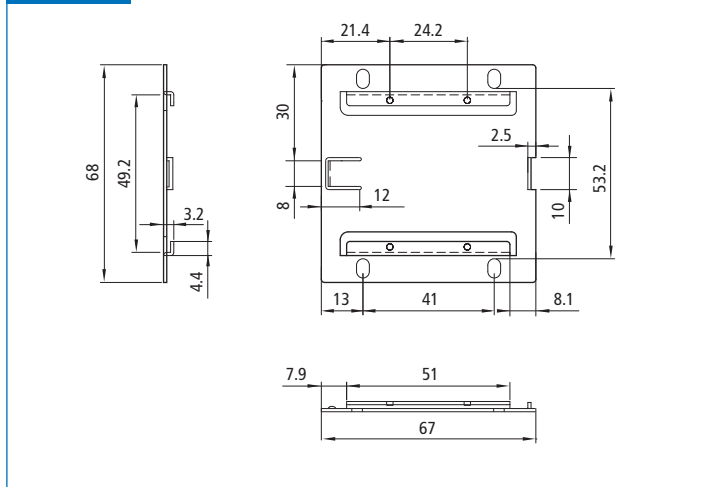
Features

- ▶ Allows the rear mounting of slides in cabinets with face frame
- ▶ Suitable for slides with a profile height of: 1-13/16" (45.7 mm)

Item Number	Face Frame Rear Mounting Bracket
13159 05 082	for DS4634 & NJ-31733
13159 05 098	for NJ-35D65 & NJ-38D58

Adjustable Plate

Dimensions



Features

- ▶ Mounting of face frame brackets with a horizontal adjustment range of 1-3/8" (35 mm)
- ▶ Easy slide-in connection of brackets

Item Number	Adjustable Plate
13159 05 086	Finish: Trivalent