

## Adjustable Glides



Item Number	Base Ø Dia.		Base Thickness		Thread Ø Dia.		Thread Length		Plastic Base color
	Inch	mm	Inch	mm	Inches	mm	Inch	mm	
71341 12 022	1	25	3/8	10	1/4-20	10	7/8	22.5	Black



Item Number	Base Ø Dia.		Thread Ø Dia.		Thread Length		Cover Shell color	Plastic Base color
	Inches	mm	Inches	mm	Inches	mm		
71341 05 065	1	25	1/4-20	10	1	25	Chrome	White
71341 05 068	1-3/8	35	3/8-16	12	2	50	Chrome	White
71341 05 066	1-3/8	35	3/8-16	12	3	75	Chrome	White



Item Number	Base Ø Dia.		Thread Ø Dia.		Thread Length		Cover Shell color	Plastic Base color
	Inches	mm	Inches	mm	Inches	mm		
71341 05 028*	1-3/8	35	3/8-16	12	1-1/2	38	Zinc	Black



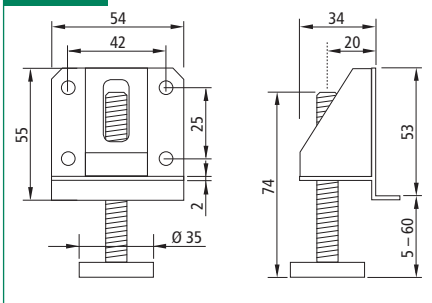
### Swivel Type

Item Number	Base Ø Dia.		Thread Ø Dia.		Thread Length		Cover Shell color	Plastic Base color
	Inches	mm	Inches	mm	Inches	mm		
71344 52 067	1-1/8	29	1/4-20	10	1	25	Nickel	White

## Heavy Duty Adjustable Floor Leveler



### Dimensions



## T-Nut for Threaded Glides



Item Number	Thread Ø Diameter	Plate Ø Dia.		Prongs	Finish
		Inch	mm		
71442 04 033	1/4-20	11/16	18	4	Zinc
71442 04 069	3/8-16	1	26	4	Zinc
71442 02 034	M10	1	26	4	Galvanized

## Nail Glides

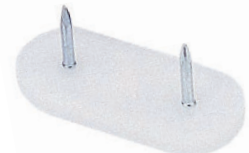


Item Number	Base Ø Dia.		Base Thickness		Nail Size		Plastic Base color
	Inch	mm	Inch	mm	Inch	mm	
71322 14 049	1/2	13	3/16	4	1/16 x 3/4	2 x 18	Brown
71322 29 050	1/2	13	3/16	4	1/16 x 3/4	2 x 18	White
71322 14 046	5/8	16	1/4	6	1/16 x 3/4	2 x 18	Brown
71322 29 010	5/8	16	1/4	6	1/16 x 3/4	2 x 18	White
71322 14 044	3/4	19	1/4	6	1/16 x 3/4	2 x 18	Brown
71322 29 045	3/4	19	1/4	6	1/16 x 3/4	2 x 18	White
71322 14 047	7/8	22	1/4	6	1/16 x 3/4	2 x 18	Brown
71322 29 048	7/8	22	1/4	6	1/16 x 3/4	2 x 18	White



### Deluxe Type

Item Number	Base Ø Dia.		Base thickness		Nail Size		Plastic color
	Inch	mm	Inch	mm	Inch	mm	
71322 29 016	3/4	19	3/8	10	1/8 x 13/16	3 x 20	Black & White



### Double Type

Item Number	Length		Width		Thickness		Nail size		Plastic color
	Inches	mm	Inch	mm	Inch	mm	Inch	mm	
71322 29 017	2	51	5/8	16	1/4	6	1/16 x 1/2	2 x 13	White

## Features

- ▶▶ Adjustable height 13/64–2-23/64" (5–60 mm)
- ▶▶ Screw with 5 mm Allen key hole
- ▶▶ Load Rating: 660 lbs. (300 kg)
- ▶▶ 4 holes diameter Ø 5 mm
- ▶▶ Zinc plated

Item Number	Base Ø Dia.		Thread Ø Dia.		Thread Length		Plastic Base color
	Inches	mm	Inches	mm	Inches	mm	
71542 04 041	1-3/8	35	3/8-16	10	2-7/8	74	Black

\* – Special Order only – call for current pricing, minimum order quantities and lead-time.