

Cabinet Leg Leveler

Screw-on Type



Applications

- ▶ Precise leveling of cabinets and shelving units
- ▶ Provides easy access to plumbing and electrical

Features

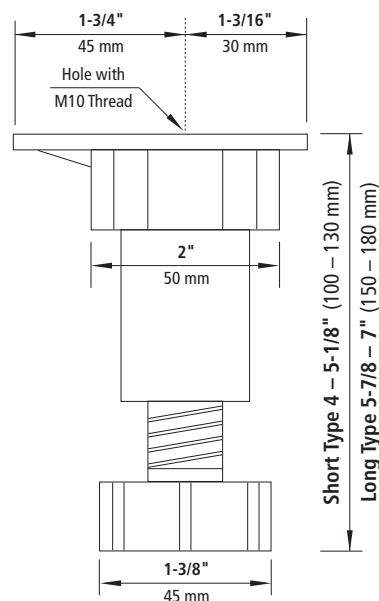
- ▶ Fully assembled
- ▶ Height adjustable by rotating foot
- ▶ Screw-on, or Press-in dowel (both with 4 screw holes)
- ▶ Black plastic (Polypropylene)
- ▶ Capacity: 175 lbs. (80 kg) per leg

Item Number	Adjustable Height		Type
	Inches	mm	
71111 12 070	4 – 5-1/8	100 – 130	Short, Screw-on
71111 12 071	5-7/8 – 7	150 – 180	Long, Screw-on
71131 12 072	4 – 5-1/8	100 – 130	Short, Press-in
71131 12 073	5-7/8 – 7	150 – 180	Long, Press-in

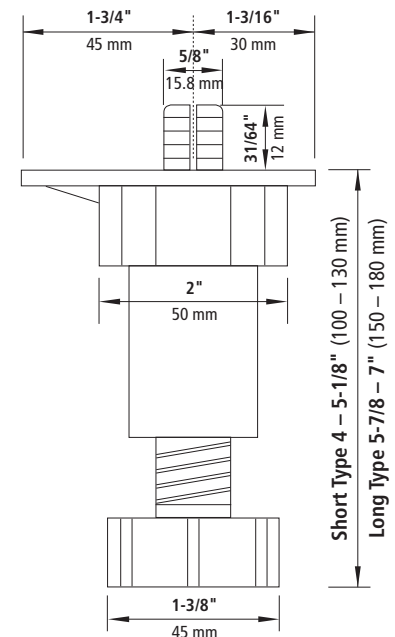
Press-in Type



Dimensions Screw-on Type



Dimensions Press-in Type



Toe/Kick Board Mounting Clip for Cabinet Leg Leveler



Item Number	Description
71552 12 074	Toe/Kick Board Mounting Clip

Features

- ▶ Clip-on mounting
- ▶ Easy height adjustment
- ▶ 2 Toe kick mounting holes
- ▶ Black plastic (polypropylene)