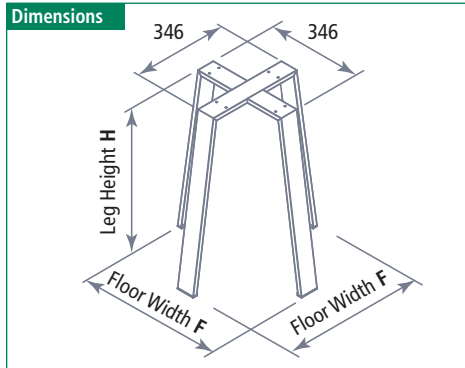


Cross Stand

Top Dimension 13-5/8" x 13-5/8" · 346 x 346 mm



Features

- ▶ Aluminum construction
- ▶ Color: black
- ▶ Light weight for easy transportation and installation

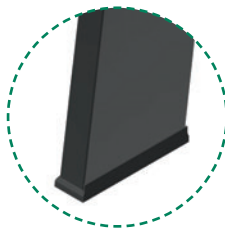
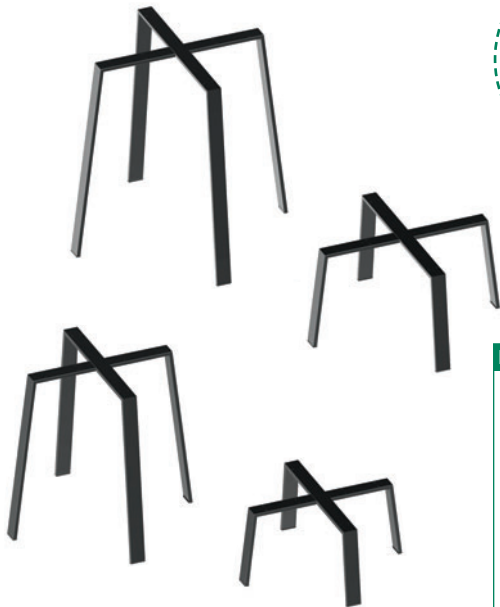
Recommended table top sizes:

- ▶ Round: Ø 15-3/4" – 19-11/16" (400 – 500 mm)
- ▶ Square: 13-3/4" x 13-3/4" – 17-3/4" x 17-3/4" (350 x 350 – 450 x 450 mm)

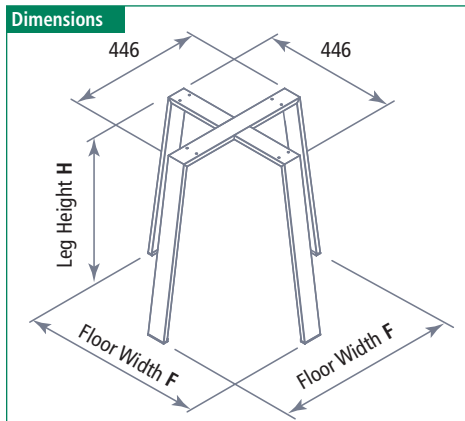
Top Dimension 13-5/8" x 13-5/8" · 346 x 346 mm

Item Number	Leg Height H		Floor Width F	
	Inches	mm	Inches	mm
71712 12 060	8	204	15-9/16	396
71712 12 061	12-9/16	320	16-11/16	424
71712 12 062	16-1/8	410	17-9/16	446
71712 12 063	22-1/16	560	19	483
71712 12 064	27-15/16	710	20-7/16	519
71712 12 065	33-1/16	840	21-11/16	551
71712 12 066	39	990	23-1/8	588

Top Dimension 17-5/8" x 17-5/8" · 446 x 446 mm



PLASTIC CAPS FOR FLOOR PROTECTION



Recommended table top sizes:

- ▶ Round: Ø 21-5/8" – 25-5/8" (550 – 650 mm)
- ▶ Square: 19-11/16" x 19-11/16" – 23-5/8" x 23-5/8" (500 x 500 – 600 x 600 mm)

Top Dimension 17-5/8" x 17-5/8" · 446 x 446 mm

	Leg Height H		Floor Width F	
	Inches	mm	Inches	mm
71712 12 070	8	204	19-1/2	496
71712 12 071	12-9/16	320	20-5/8	524
71712 12 072	16-1/8	410	21-1/2	546
71712 12 073	22-1/16	560	22-15/16	583
71712 12 074	27-15/16	710	24-3/8	619
71712 12 075	33-1/16	840	25-5/8	651
71712 12 076	39	990	27-1/16	688

Application Examples

