

Flat Rail Barn Door Hardware – Surface Mount

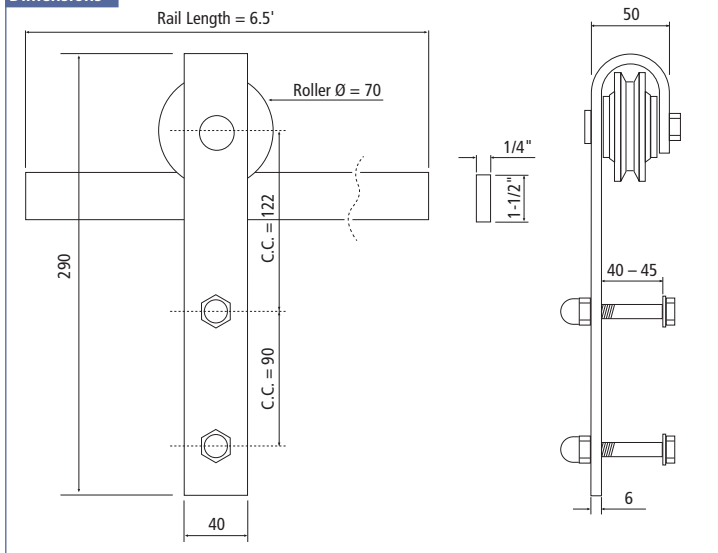


Features

- » Steel with powder coat or stainless steel
- » Max. door weight: 350 lbs. (160 kg)
- » Suitable for door thickness of 1-1/4" – 1-3/4" (35 – 45 mm)
- » 4' (1219 mm) rail extension (pre-drilled for soft close mechanism) available in steel matte black
- » Black wheel is made of POM (polyformaldehyde)



Dimensions



Set includes

- 5 Clamps for Fixing Track
- 2 Door Stoppers
- 1 Rail, Length 6.5' or 8'
- 2 Anti Jump Blocks
- 2 Sliding Door Rollers
- 1 Floor Guide
- Screws and Allen Key

Rail Length 6.5'

Item Number	Material/Finish
77214 51 005	Steel Matte Black
77214 53 007	Steel Oil Rubbed Bronze
77214 56 006	Stainless Steel

Rail Length 8'

Item Number	Material/Finish
77214 51 020	Steel Matte Black
77214 53 021	Steel Oil Rubbed Bronze
77214 56 023	Stainless Steel

4' Rail Extension (Pre-Drilled for Soft Close Mechanism)

Item Number	Steel Matte Black Only
77259 51 120	4' Rail Extension
77299 51 150	Mounting Kit for 4' Rail

Roller with Screws Surface Mount

Item Number	Material/Finish
77219 51 137	Steel Matte Black
77219 53 139	Steel Oil Rubbed Bronze
77219 56 141	Stainless Steel

Packaging

