

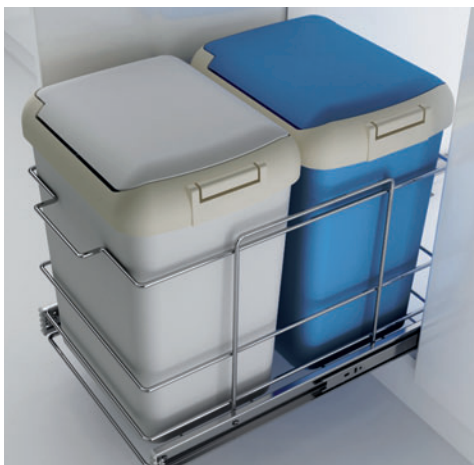
Waste Bin Pull Out with Cover



Note: Ball Bearing Slide Version with optional Door Brackets shown

Soft Close Single Waste Bin Pull out with Full Extension Undermount Slides								
Item Number	Unit Height		Unit Width		Unit Depth		Components	Finishes
	Inches	mm	Inches	mm	Inches	mm		
40321 46 032	17-3/4	450	10-3/8	264	19-3/4	500	Frame, soft close slides, 1 blue bin with lid	Chrome

Actual unit dimensions shown; allow proper spacing for installation.

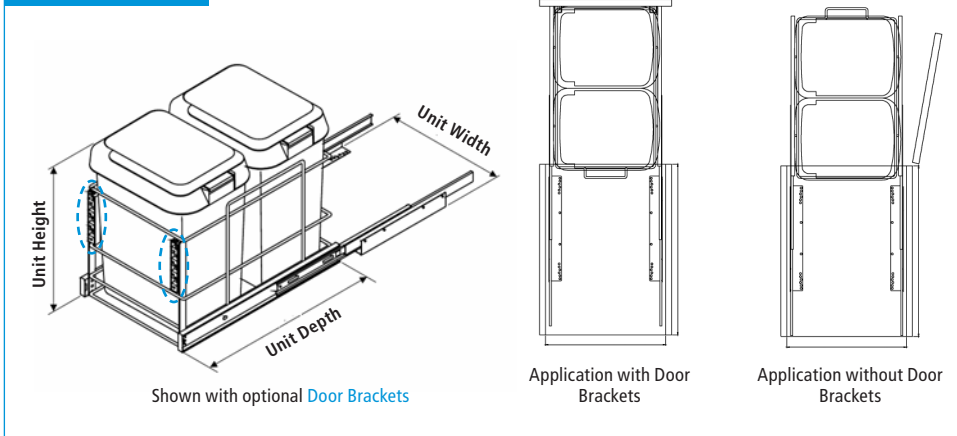


Note: Ball Bearing Slide Version shown

Soft Close Double Waste Bin Pull out with Full Extension Undermount Slides								
Item Number	Unit Height		Unit Width		Unit Depth		Components	Finishes
	Inches	mm	Inches	mm	Inches	mm		
40321 46 036	17-7/8	441	14-1/16	358	20-11/16	528	Frame, soft close slides, 1 blue bin with lid, 1 grey bin with lid	Chrome

Actual unit dimensions shown; allow proper spacing for installation.

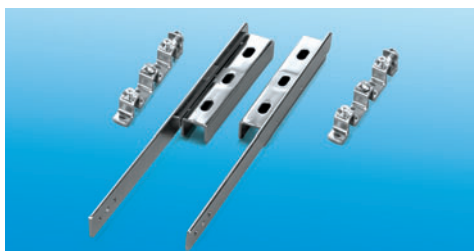
Dimensions



Dimensions Plastic Waste Bin with Lid

Height		Width		Depth	
Inches	mm	Inches	mm	Inches	mm
16-1/2	420	9-7/8	250	12-9/16	320

Door Brackets, Chrome plated - Optional item to be ordered separately -



Required for Door Mount Applications

Item Number	Height		Width		Depth	
	Inch	mm	Inches	mm	Inches	mm
40959 83 183	1	25	1-3/16	30	11	279