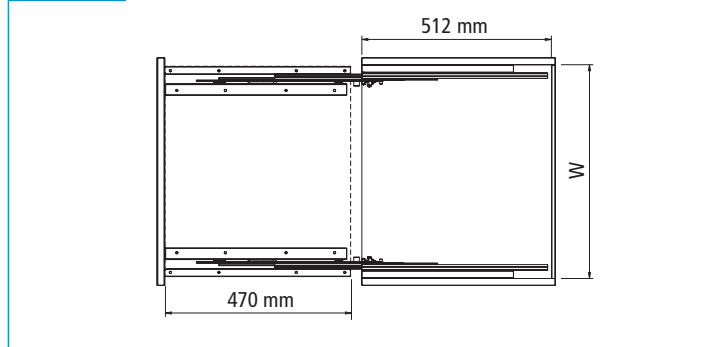


Features

- ▶ Instantly achieve more countertop surface right out of the space normally occupied by a drawer
- ▶ Simply pull open and lift up to the counter's height in one movement
- ▶ Push extension back against countertop to create additional space
- ▶ Ideal for galley kitchen, RVs, home office, laundry rooms – anywhere that a little more counter space makes life easier
- ▶ Finish: Silver gray epoxy
- ▶ Drawer opening height – 4" + thickness of work surface
- ▶ Closed to open/raised height change 2-1/4" (57 mm)
- ▶ Work surface not included



Dimensions



Item Number	Unit height		Unit width (W)		Unit depth	
	Inches	mm	Inches	mm	Inches	mm
40141 85 206	3-13/16	97	14-3/8–22-3/16	364–564	20-3/16	512

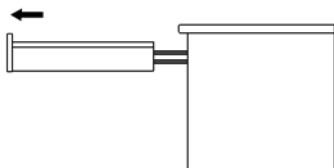
Actual unit dimensions shown; allow proper spacing for installation.

Height: Add unit height plus thickness of work surface plus installation spacing.

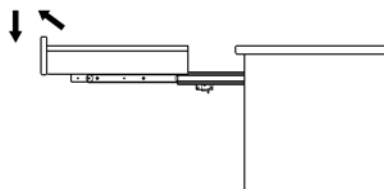
Application

Pull-out the work-top extension as follows:

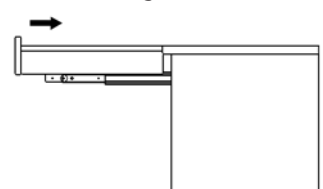
1. Pull-out



2. Swing-up

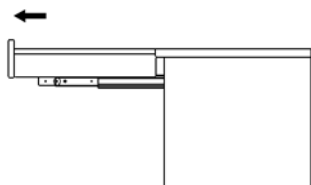


3. Push flush against the counter

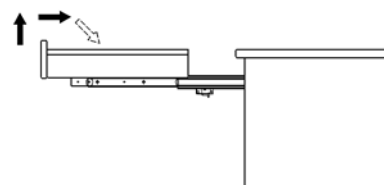


Push the work-top extension **back** as follows:

1. Pull-out



2. Swing-up and push down



3. Push back

