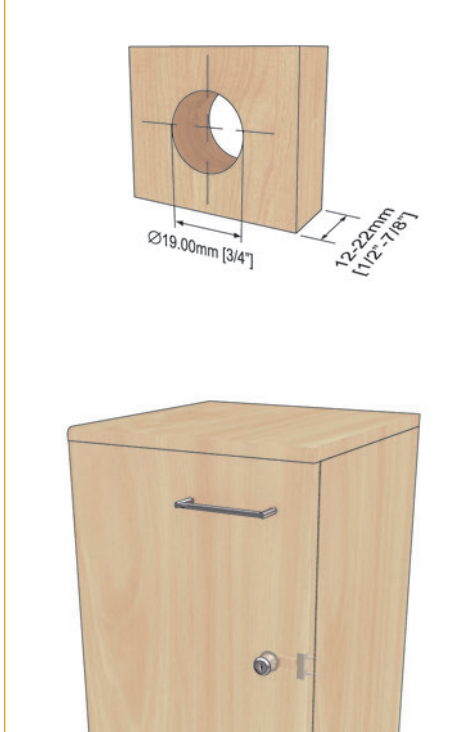




Drill Hole and application



Features

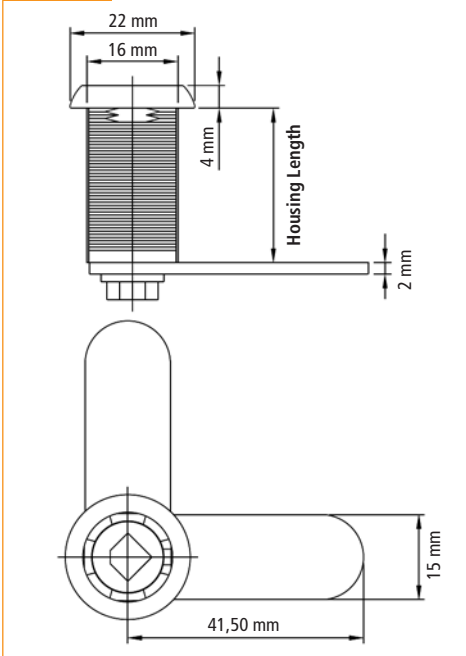
- ▶▶ 90° cam rotation
- ▶▶ 30 mm, 36.5 mm or 44.5 mm cylinder housing (also available by special order: 11 mm, 16 mm, 20 mm and 25 mm. 11 mm and 16 mm are not core removable)
- ▶▶ Key removable in locked and unlocked positions
- ▶▶ Zinc alloy die cast
- ▶▶ Different strike plates available
- ▶▶ Core with keys sold separately (refer to page 76)
- ▶▶ Box quantity = 25

Set includes

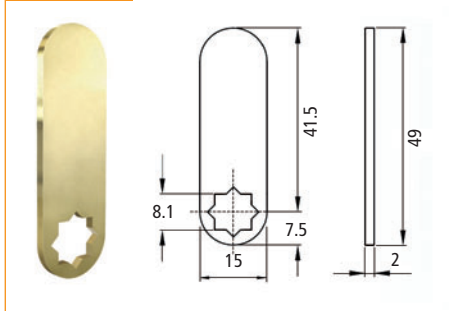
- 1 Lock housing
- 2 Cams (straight/offset)
- 1 Mounting screw
- 1 Washer
- 1 Steel nut

Item Number	Finish	Length
30111 58 003	Black	30mm
30111 57 002	Brass	30mm
30111 52 000	Nickel	30mm
30111 52 023	Nickel	36.5mm
30111 52 024	Nickel	44.5mm

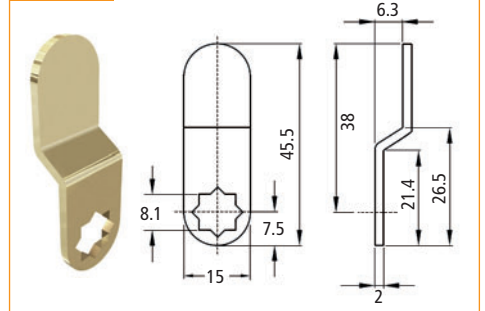
Dimensions



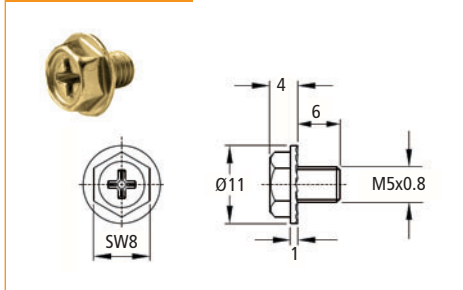
Straight Cam



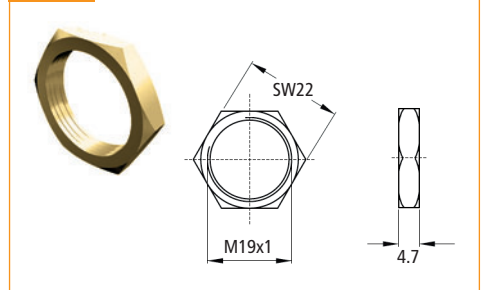
Offset Cam



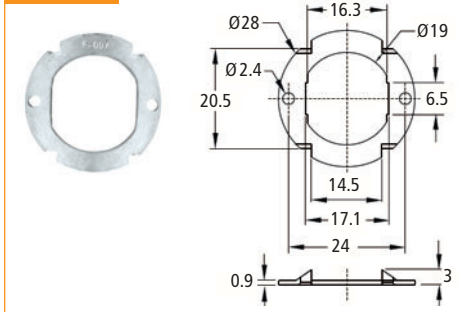
Cam Mounting Screw



Cam Nut



Cam Washer



FOR OPTIONAL ITEMS SEE ACCESSORIES PAGES AT END OF LOCK SECTION