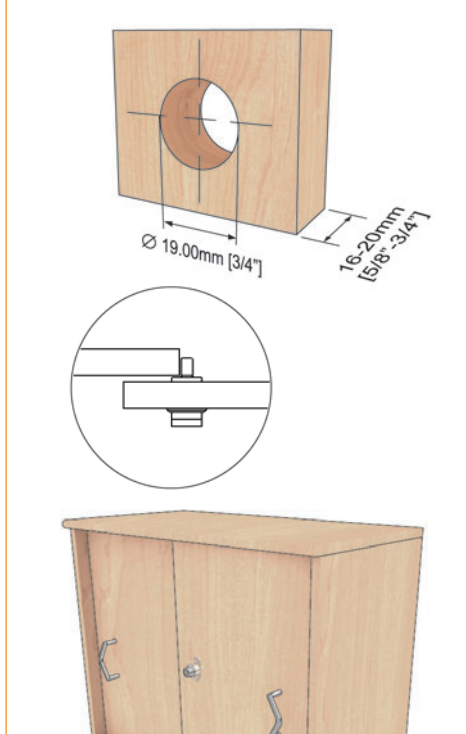


Features

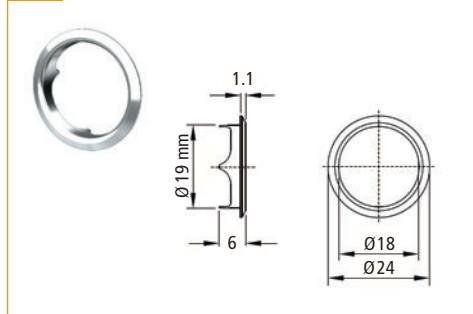
- ▶ Push-in locking, no key required when locking
- ▶ Key removable in locked and unlocked positions
- ▶ M5 internal thread for locking pin
- ▶ Zinc alloy die cast
- ▶ Optional extension pin (adds 5 mm) available
- ▶ Core with keys sold separately (refer to page 76)
- ▶ Box Quantity = 25

Drill hole and application

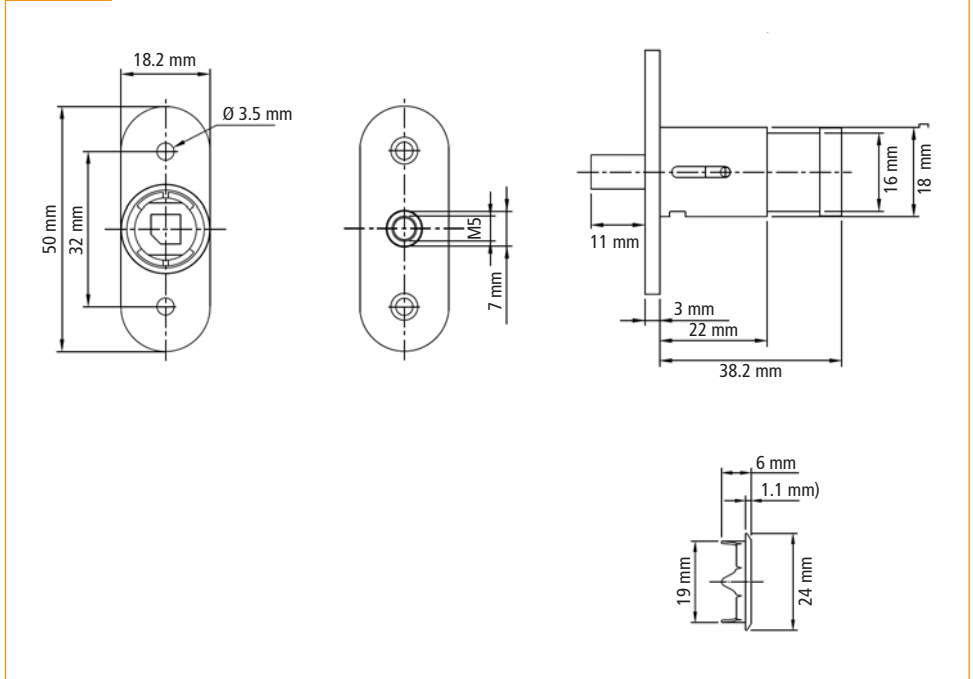


| Set includes | Item Number | Finish |
|----------------|--------------|--------|
| 1 Lock housing | 30121 58 007 | Black |
| 1 Bezel | 30121 57 006 | Brass |
| | 30121 52 005 | Nickel |

Bezel



Dimensions



FOR OPTIONAL ITEMS SEE ACCESSORIES PAGES AT END OF LOCK SECTION