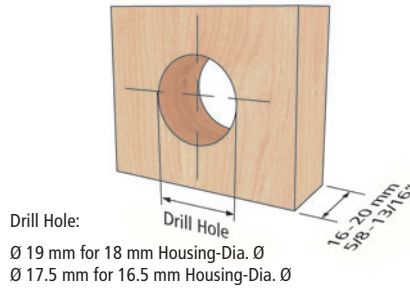




Drill hole and application



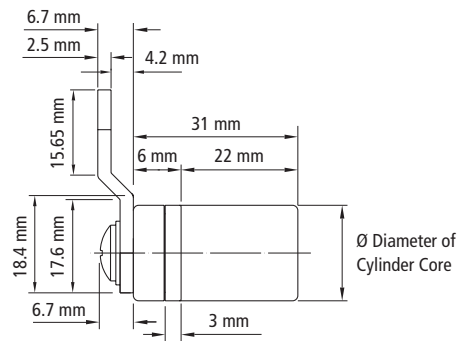
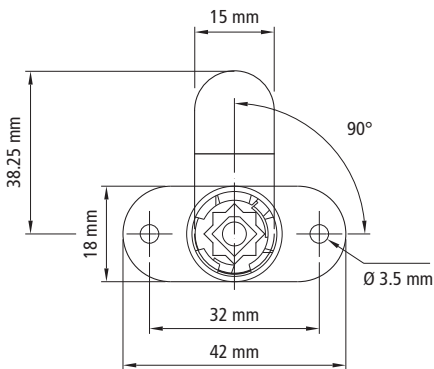
Features

- ▶▶ 90° cam rotation
- ▶▶ 31 mm cylinder housing
- ▶▶ Zinc alloy die cast
- ▶▶ Mounting screws not included
- ▶▶ Different strike plates optional available
- ▶▶ Core with keys sold separately (refer to page 76)
- ▶▶ Available by special order: black and brass
- ▶▶ Box Quantity = 25

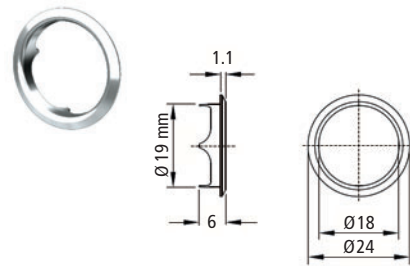
Set includes
1 Lock housing
1 Offset Cam
1 Bezel

Item Number	Finish
30111 58 022*	Black
Special Order*	Brass
30111 52 021	Nickel

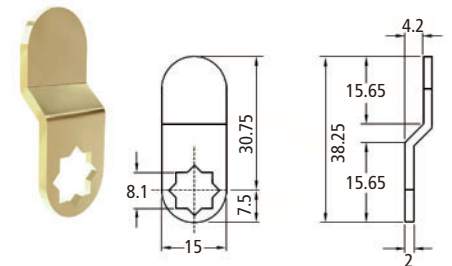
Dimensions



Bezel



Offset Cam



FOR OPTIONAL ITEMS SEE ACCESSORIES PAGES AT END OF LOCK SECTION

* – Special Order only – call for current pricing, minimum order quantities and lead-time.