

Features

- ▶ 10,000 possible combinations
- ▶ Each lock comes with 2 modes:
Public: multiple users
Personal: single user
- ▶ Black plastic housing and metal inner workings
- ▶ Suitable for thickness 16-20 mm
- ▶ Quick & easy installation
- ▶ Hole diameter required: 76 mm (3")

Applications

- ▶ Office furniture
- ▶ Cabinets
- ▶ Lockers at gyms, school, and medical
- ▶ Personal locker and safe
- ▶ Subway, bowling alley

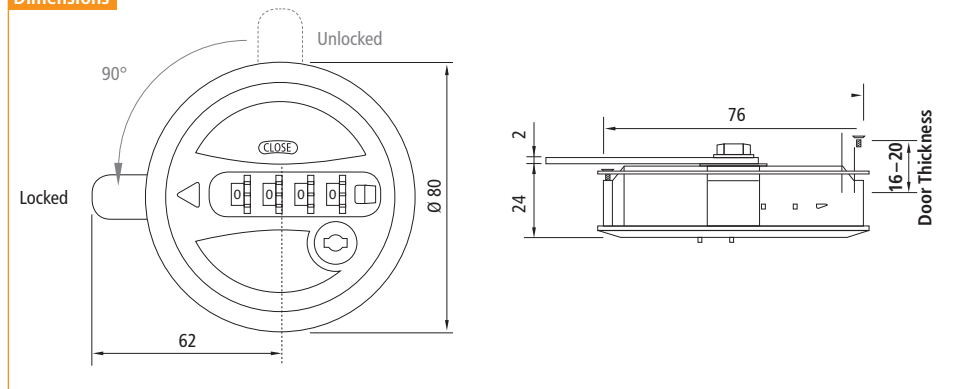


- ▶ SMART KEY AND CODE RESETTING TOOL (RESETS PERSONAL MODE TO FACTORY CODE)
- ▶ SOLD SEPARATELY – SEE PAGE 95

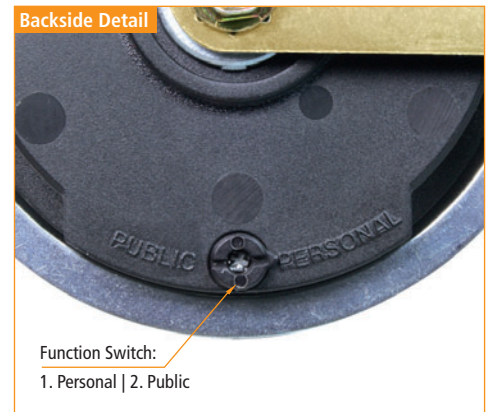
Set includes	
1	Combination Lock
1	Straight Cam
2	Mounting Screws
1	Fixing Washer

Item Number	Description
32811 58 114	4 Digit Combination Lock Round

Dimensions



Backside Detail



FOR OPTIONAL ITEMS SEE ACCESSORIES PAGES AT END OF LOCK SECTION

Straight Cam

