



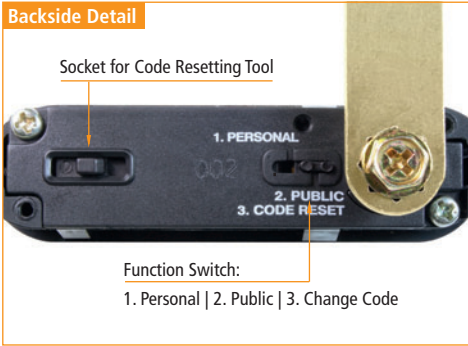
### Features

- ▶▶ 10,000 possible combinations
- ▶▶ Each lock comes with 2 modes:  
Public: multiple users  
Personal: single user
- ▶▶ Black plastic housing and metal inner workings
- ▶▶ Suitable for thickness 16-20 mm
- ▶▶ Quick & easy installation

### Applications

- ▶▶ Office furniture
- ▶▶ Cabinets
- ▶▶ Lockers at gyms, school, and medical
- ▶▶ Personal locker and safe
- ▶▶ Subway, bowling alley

SMART KEY AND CODE RESETTING TOOL  
(RESETS PERSONAL MODE TO FACTORY CODE)  
SOLD SEPARATELY – SEE PAGE 95

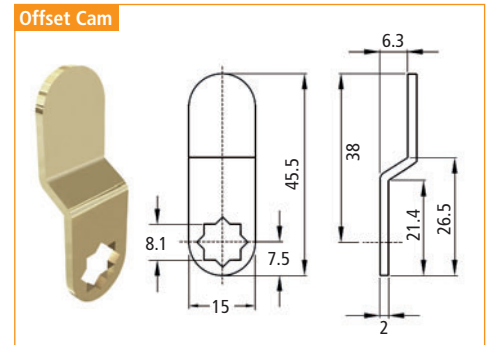
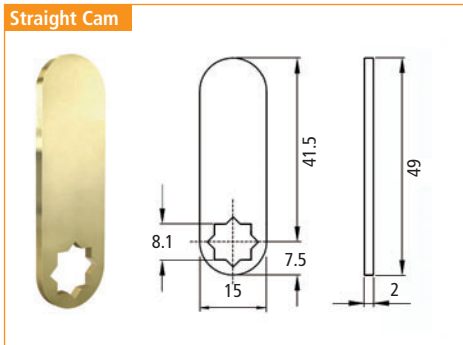
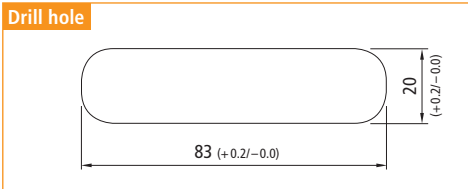


### Set includes

- 1 Combination Lock
- 1 Straight Cam
- 1 Offset Cam
- 2 Mounting Screws
- 1 Fixing Plate

Item Number	Description
32811 58 115	4 Digit Combination Lock Horizontal

FOR OPTIONAL ITEMS SEE  
ACCESSORIES PAGES  
AT END OF LOCK SECTION



### Dimensions

