

**Features**

- ▶ 10,000 possible combinations
- ▶ Each lock comes with 2 modes:  
Public: multiple users  
Personal: single user
- ▶ Black plastic housing and metal inner workings
- ▶ Suitable for thickness 16-20 mm
- ▶ Quick & easy installation

**Applications**

- ▶ Office furniture
- ▶ Cabinets
- ▶ Lockers at gyms, school, and medical
- ▶ Personal locker and safe
- ▶ Subway, bowling alley



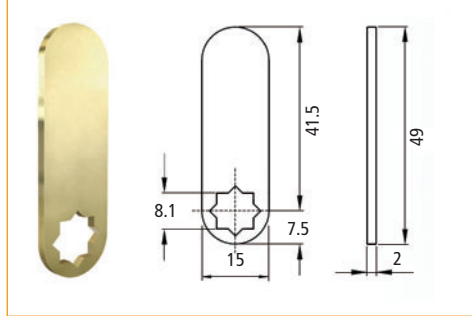
SMART KEY AND CODE RESETTING TOOL  
(RESETS PERSONAL MODE TO FACTORY CODE)  
SOLD SEPARATELY – SEE PAGE 95

**Set includes**

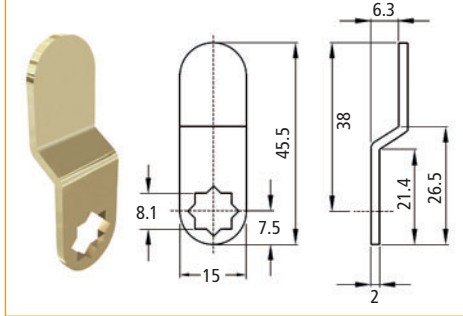
- 1 Combination Lock
- 1 Straight Cam
- 1 Offset Cam
- 2 Mounting Screws
- 1 Fixing Plate

Item Number	Description
32811 58 116	4 Digit Combination Lock Vertical

**Straight Cam**



**Offset Cam**



**Backside Detail**

Socket for Code Resetting Tool

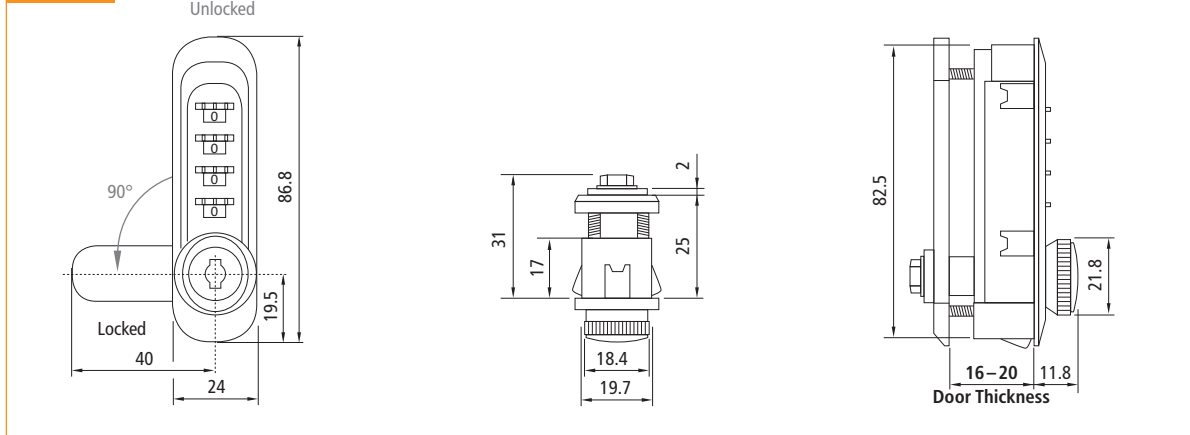
Function Switch:

- 1. Personal
- 2. Public
- 3. Change Code



FOR OPTIONAL ITEMS SEE ACCESSORIES PAGES AT END OF LOCK SECTION

**Dimensions**



**Drill hole**

