

## Features

- ▶ Concealed knob when locked
- ▶ Keyless locking mechanism
- ▶ Satin nickel knob & bezel
- ▶ ABS brown plastic housing & strike
- ▶ 16 – 24 mm (5/8" – 1") material thickness (special order available for thicker materials)
- ▶ Hole diameter required: 26 mm (1")
- ▶ Box Quantity = 100

## Applications

- ▶ Cabinet doors and drawers
- ▶ RV's, campers, and boats
- ▶ Earthquake prone areas



Unlocked



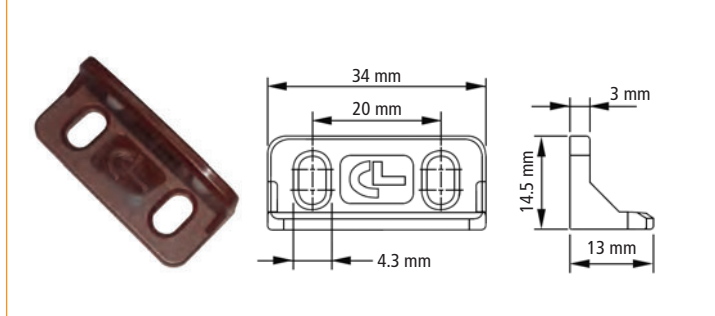
Locked

### Set includes

- 1 Push lock
- 1 Bezel
- 1 Strike
- 2 Spacers 1 mm
- 2 Spacers 3 mm
- 4 Wood Screws (#6 x 1/2")

Item Number	Description
32991 59 110	Concealed Push Knob Lock - Large -

### L-Type Strike Plate



### Table for Spacers

To install spacers, turn knob counter-clockwise and remove from the threaded shaft.

Slide spacer(s) over threaded shaft, and replace knob.

Use chart to determine required spacers for various material thickness's.

Wood Thickness	Quantity of Spacers	
	1 mm	3 mm
16 mm	–	–
17 mm	1	–
18 mm	2	–
19 mm	–	1
20 mm	1	1
21 mm	2	1
22 mm	–	2
23 mm	1	2
24 mm	2	2

### Dimensions

