



**Features**

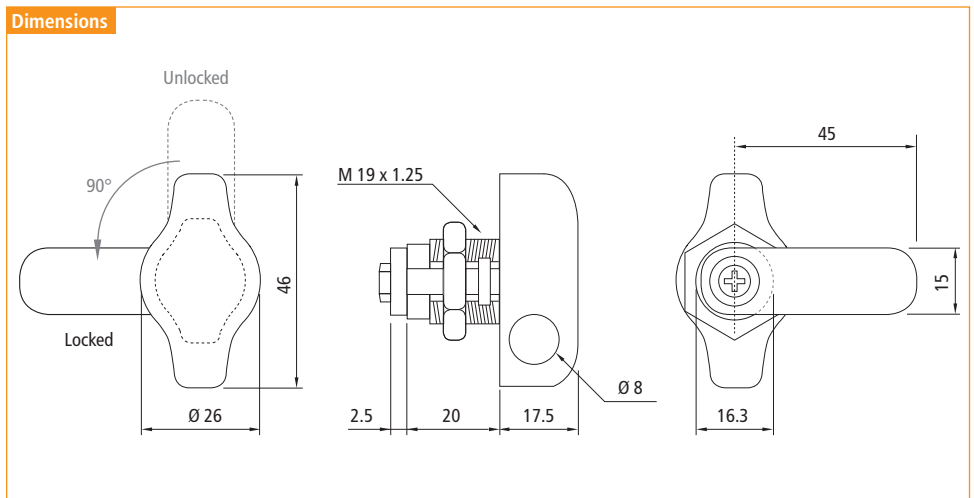
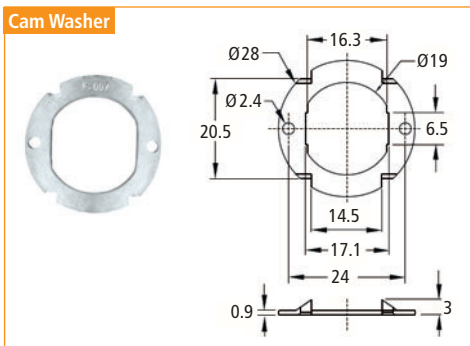
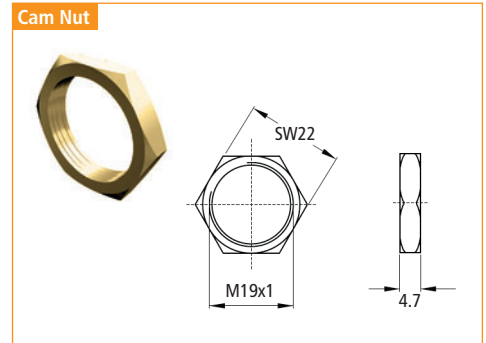
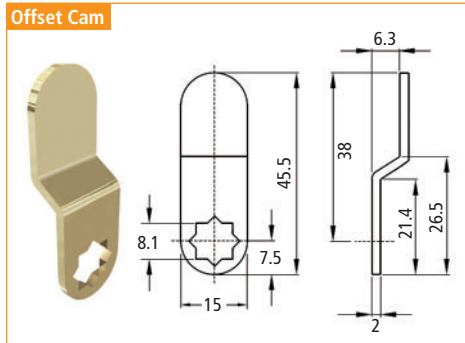
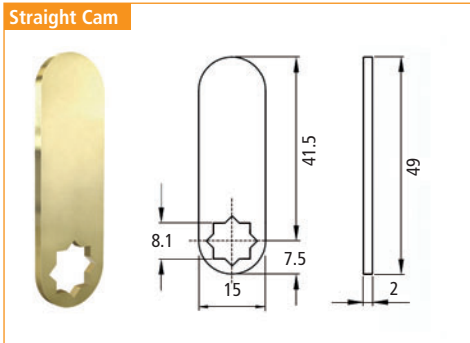
- ▶▶ For door thickness up to 12.7 mm (1/2")
- ▶▶ Can be used as a knob or a lock (with use of a pad lock)
- ▶▶ Knob/Cam locks in place with pad lock inserted
- ▶▶ Works with most standard U.S. pad locks
- ▶▶ Made of die cast metal
- ▶▶ Drill hole diameter required: 19 mm (3/4")

**Applications**

- ▶▶ Lockers
- ▶▶ Desks
- ▶▶ Cabinets
- ▶▶ Office furniture

Set includes	
1	Lock
1	Straight Cam
1	Offset Cam
1	Cam Nut
1	Cam Washer

Item Number	Description
32711 52 118	Locker Lock



FOR OPTIONAL ITEMS SEE ACCESSORIES PAGES AT END OF LOCK SECTION