

Cyber Lock

DX 111-25

Locker Lock with Clutch

Features

- ▶ For door thickness up to 19 mm (3/4")
- ▶ Knob spins freely with pad lock inserted for extra security
- ▶ Knob turns cam (or opens lock) when pad lock is not inserted
- ▶ Works with most standard U.S. pad locks
- ▶ Made of die cast metal
- ▶ Drill hole diameter required: 19 mm (3/4")

Applications

- ▶ Lockers
- ▶ Desks
- ▶ Cabinets
- ▶ Office furniture

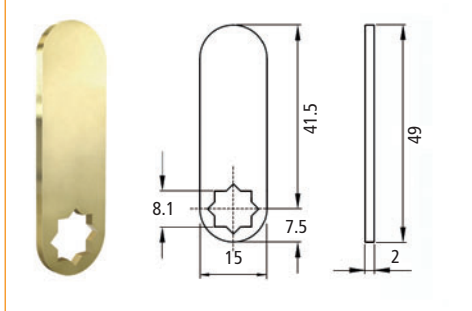


Set includes

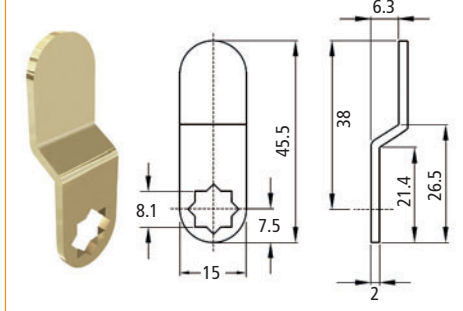
- 1 Lock
- 1 Straight Cam
- 1 Offset Cam
- 1 Cam Nut
- 1 Cam Washer

Item Number	Description
32711 52 117	Locker Lock with Clutch

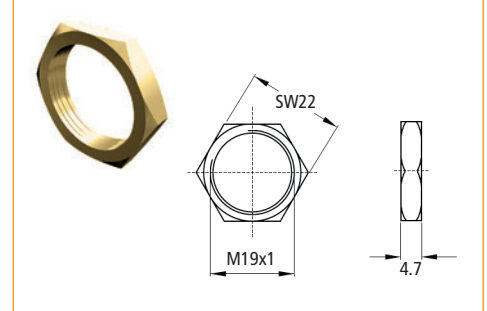
Straight Cam



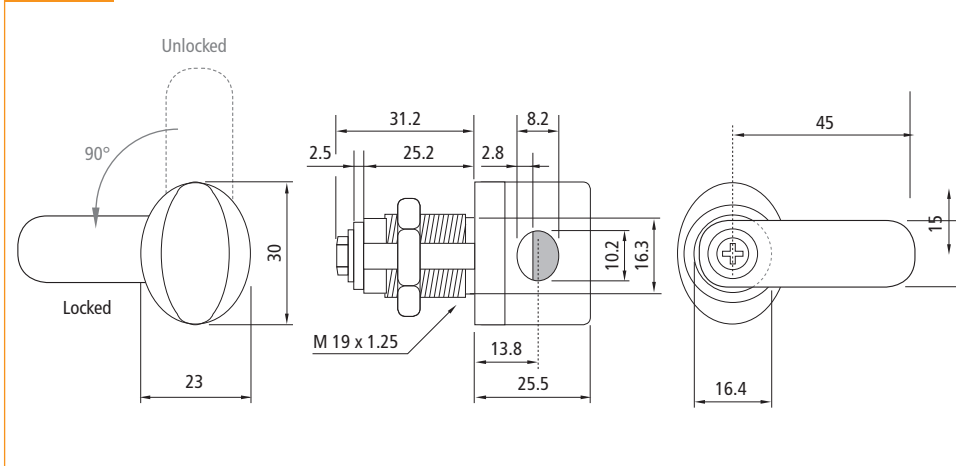
Offset Cam



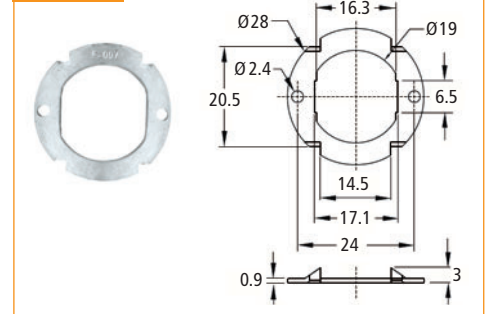
Cam Nut



Dimensions



Cam Washer



FOR OPTIONAL ITEMS SEE ACCESSORIES PAGES AT END OF LOCK SECTION