

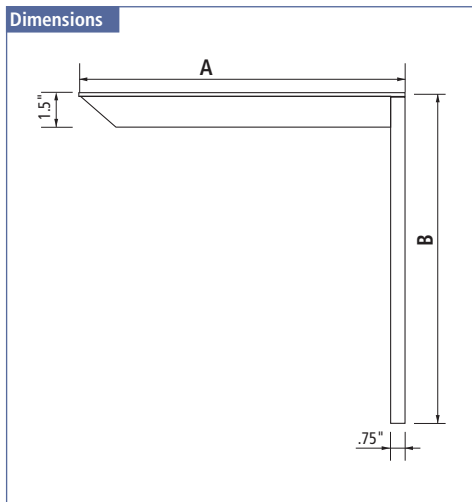
Features

- ▶ Surface or concealed mounting for floating shelf appearance
- ▶ Available with 12", 18", and 24" support arms
- ▶ Texture powder coated finish in black or white
- ▶ Non-handed
- ▶ Vertical tubular arm: 1-1/2" (width) x 3/4" (thickness)
- ▶ Horizontal arm (T-shape): 1-1/2" x 1-1/2"
- ▶ Load rating per pair: 1,050 to 2,200 lbs.
- ▶ Packaging: 2 bracket per box
- ▶ Multiple mounting holes on support arm and vertical tube
- ▶ Mounting hardware not included

Applications

- ▶ Counter tops
- ▶ Work surfaces
- ▶ Shelving (floating)
- ▶ ADA access
- ▶ Training rooms
- ▶ Benches

Dimensions



| Item Number | A Support Arm | | Height B | | Load Rating (pair) | | Finish |
|--------------|---------------|-----|----------|-----|--------------------|-----|--------|
| | Inches | mm | Inches | mm | lbs. | kg | |
| 72531 80 212 | 12 | 305 | 12 | 305 | 2,050 | 930 | Black |
| 72531 82 215 | 12 | 305 | 12 | 305 | 2,050 | 930 | White |
| 72531 80 213 | 18 | 457 | 18 | 457 | 1,780 | 807 | Black |
| 72531 82 216 | 18 | 457 | 18 | 457 | 1,780 | 807 | White |
| 72531 80 214 | 24 | 609 | 24 | 609 | 1,360 | 617 | Black |
| 72531 82 217 | 24 | 609 | 24 | 609 | 1,360 | 617 | White |



Concealed applications require ripping a 2" x 4" lengthwise, and mounting the ripped 2" x 4" **2** to the side of a standard 2" x 4" **1** stud. Bracket is then mounted to the recessed (ripped) 2" x 4". Install drywall around support arm.

Plastic finishing caps in matching color to conceal the bottom of tube **2** and the mounting screw holes **1** are included.

