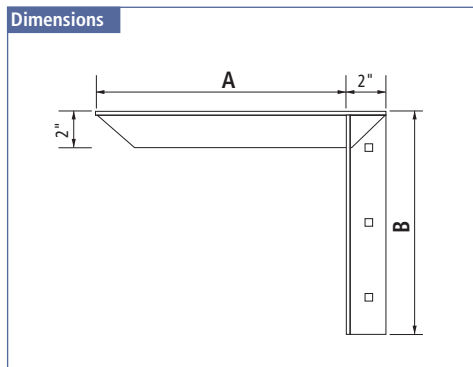


Features

- ▶ Steel construction
- ▶ Texture powder coated finish in black and white
- ▶ Available with 9", 12", 18", and 24" support arms
- ▶ Load rating per pair: 1,800 to 4,520 lbs.
- ▶ Square mounting holes to lock bolt in place for single tool tightening
- ▶ Mounting bolts, nuts, lock & flat washers included (3/8" x 3")
- ▶ Packaging: 2 bracket per box (1 left and 1 right hand bracket)

Applications

- ▶ Counter tops
- ▶ Work surfaces
- ▶ Shelving (floating)
- ▶ ADA access
- ▶ Training rooms
- ▶ Benches



Item Number	A Support Arm		Height B		Load Rating (pair)		Finish
	Inches	mm	Inches	mm	lbs.	kg	
72531 80 204	9	228	12	305	4,520	2,052	Black
72531 82 170	9	228	12	305	4,520	2,052	White
72531 80 205	12	305	12	305	4,020	1,825	Black
72531 82 171	12	305	12	305	4,020	1,825	White
72531 80 206	18	457	18	457	2,060	935	Black
72531 82 172	18	457	18	457	2,060	935	White
72531 80 207	24	609	18	457	1,800	817	Black
72531 82 173	24	609	18	457	1,800	817	White

