

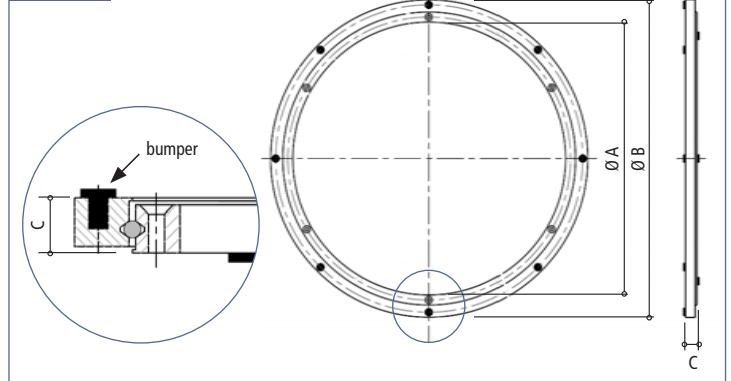
## Aluminum Swivels with Ball Bearings



### Features

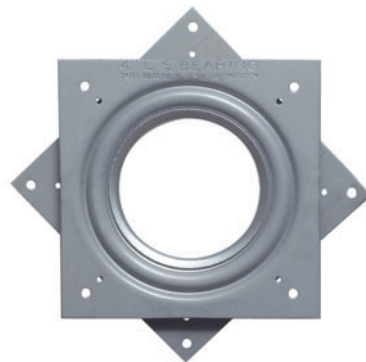
- ▶ Carbon steel ball bearings
- ▶ 70213 40 012 made of ADC12 aluminum, all others made of AC2A aluminum

### Dimensions



Item Number	Outer Ø Dia. B		Inner Ø Dia. A		Height C		Load Rating	
	Inches	mm	Inches	mm	Inch	mm	lbs.	kg
70213 40 012	12-3/4	325	10-1/2	265	1/2	12	175	80
70213 40 013	17-1/2	442	15	380	9/16	14	275	125
70214 40 015	23-5/8	660	20-1/2	520	5/8	16	660	300
70214 40 016	29-1/2	750	26-3/8	670	5/8	16	990	450

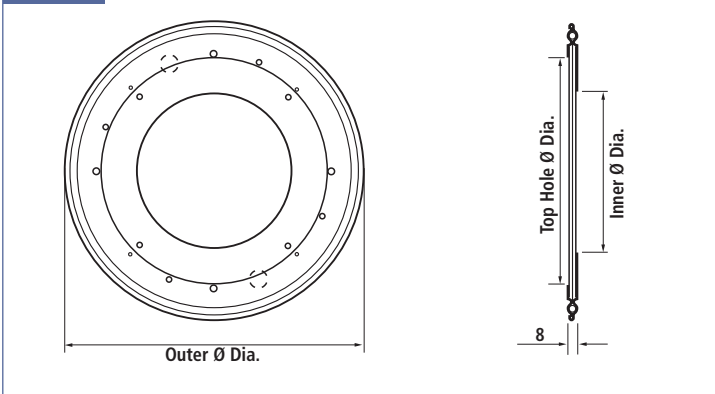
## "Lazy Susan" Swivels with Ball Bearings



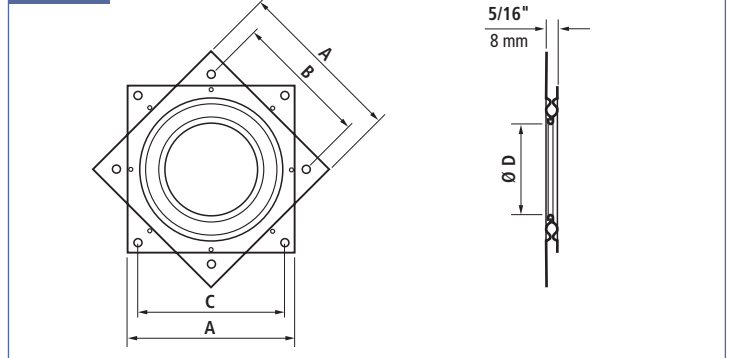
### Features

- ▶ Material: galvanized steel
- ▶ Steel ball bearings

### Dimensions



### Dimensions



### Round type

Item Number	Outer Ø Dia.		Inner Ø Dia.		Top Hole Ø Dia.		Load Rating	
	Inches	mm	Inches	mm	Inches	mm	lbs.	kg
70214 02 046*	9	231	4-5/8	117	5-3/4	146	750	340
70214 02 014	12	304	6-1/4	160	9-1/16	230	1000	455

### Square type

Item Number	A		B		C		Inner Ø D.		Load Rating	
	Inches	mm	Inches	mm	Inches	mm	Inches	mm	lbs.	kg
70213 02 009	3	76	2-5/8	65	2-5/8	65	1-1/4	32	200	90
70213 02 010	4	102	3-3/16	81	3-1/2	89	2-3/16	55	300	135
70213 02 011	6	152	4-3/4	121	5-9/16	141	4-11/16	119	500	225

\* - Special Order only - call for current pricing, minimum order quantities and lead-time.