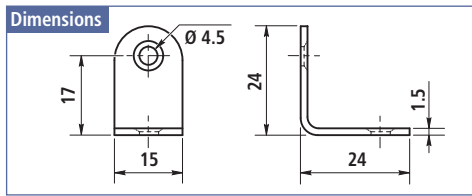


Angle Brackets

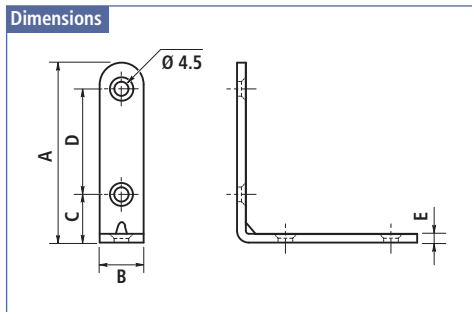
Dimensions



One hole type			
Item Number	Dimensions		Finish
	Inch	mm	
72531 02 106	1 x 1	24 x 24	Galvanized



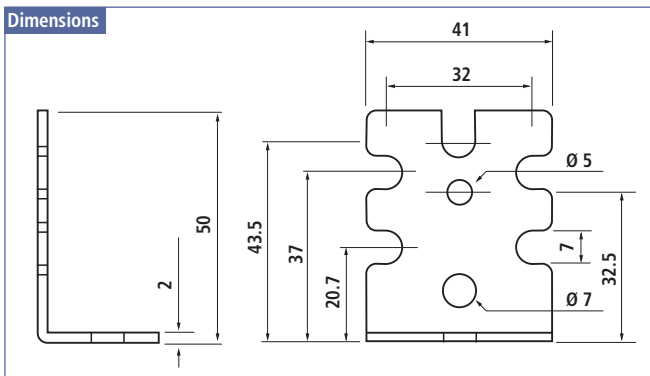
Dimensions



Two hole type											
Item Number	A		B		C		D		E		Finish
	Inches	mm	Inch	mm	Inches	mm	Inches	mm	Inch	mm	
72531 02 099	1-3/16	32	9/16	15	7/16	11	9/16	14	1/16	2	Galvanized
72531 02 100	1-9/16	42	9/16	15	5/8	16.5	1-1/16	17.5	1/16	2	Galvanized
72531 02 101	2	52	9/16	15	11/16	17	1-1/16	26.5	1/16	2	Galvanized
72531 02 102	2-3/8	62	9/16	15	11/16	17	1-7/16	36	1/16	2	Galvanized
72531 02 103	2-3/4	72.5	9/16	15	11/16	17	1-13/16	46.5	1/8	3	Galvanized
72531 02 104	3-1/8	82.5	9/16	15	11/16	17	2-3/16	56	1/8	3	Galvanized
72531 02 105	4	100	13/16	20	1-7/16	37	1-7/8	48	1/8	3	Galvanized



Dimensions

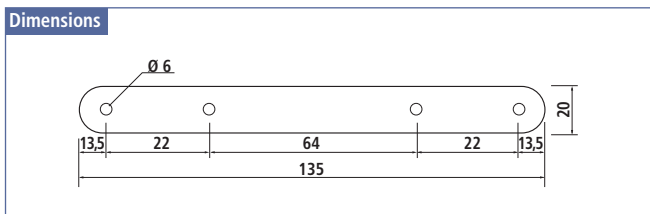


Item Number	Dimensions W x L x H		Finish
	Inches	mm	
72531 04 093	1-5/8 x 1-7/8 x 1-1/16	42 x 47 x 27	Zinc Plated
72531 82 094	1-5/8 x 1-7/8 x 1-1/16	42 x 47 x 27	White Coated

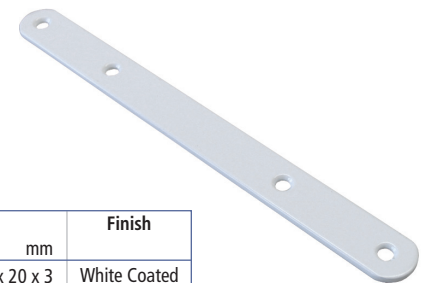
Euro Bracket



Dimensions

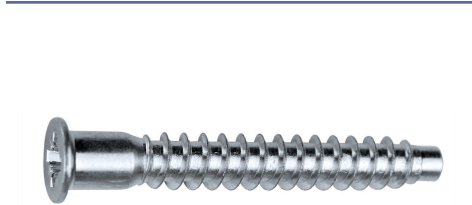


Item Number	Dimensions L x B x T		Finish
	Inches	mm	
72331 82 026	5-5/16 x 13/16 x 1/8	135 x 20 x 3	White Coated



Connecting Strip

Dimensions



Connecting Screw PZD with hole head					
Item Number	Length		Shank Ø		Finish
	Inch	mm	Inch	mm	
74111 04 007	1-31/32	50	9/32	7	Zinc Plated

Connecting Screw with 3 mm allen head					
Item Number	Length		Shank Ø		Finish
	Inch	mm	Inch	mm	
74111 01 005	1-31/32	50	3/16	5	Black

Metal Sleeve with combi slot head for 19 mm Panels				
Item Number	Dimensions		Thread	Finish
	Inches	mm		
74133 52 039	3/16 x 1-5/32	5 x 35	M4	Nickel Plated

Connecting Screws

