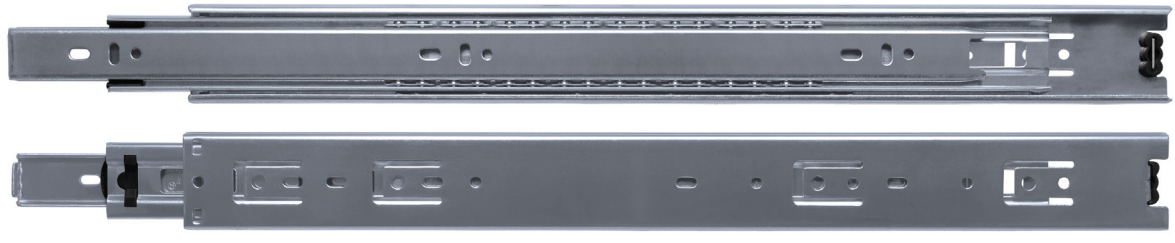


# 100 Lb Medium-duty Ball Bearing Slide

**NEW ITEM**



## Features

- ▶ 1" over travel
- ▶ Side mount
- ▶ Screw mounting system is 32 mm compatible
- ▶ Lengths: 14" – 22"
- ▶ Height: 1-49/64" (45 mm)
- ▶ Side spacing: 1/2" (12.7 ± 0.2 mm)
- ▶ Load capacity: 100 lbs.
- ▶ Packaging:
  - 14" – 16" 20 Pairs (PR)/Carton (BX)
  - 18" – 22" 10 Pairs (PR)/Caron (BX)
- ▶ Finish: zinc plated
- ▶ RoHS compliant
- ▶ BHMA 1-HD100 (tested 18" length)

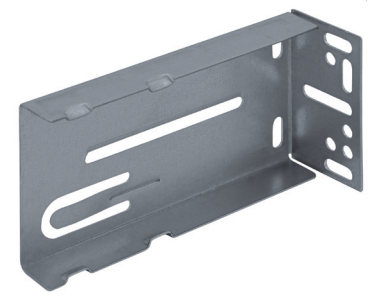
## Applications

- ▶ Commercial furniture
- ▶ Bedroom furniture
- ▶ Office furniture
- ▶ Kitchen cabinets

## Optional Item

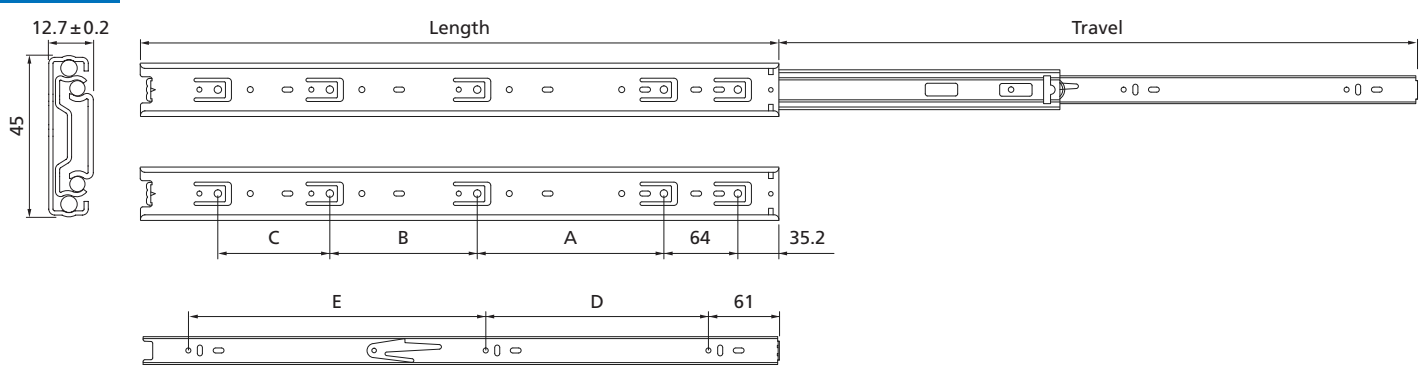
– for detailed information please refer to page XX –

**NEW ITEM**

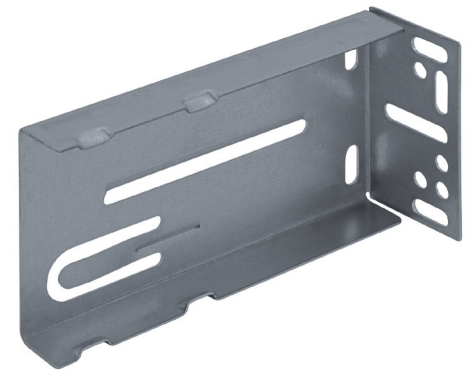
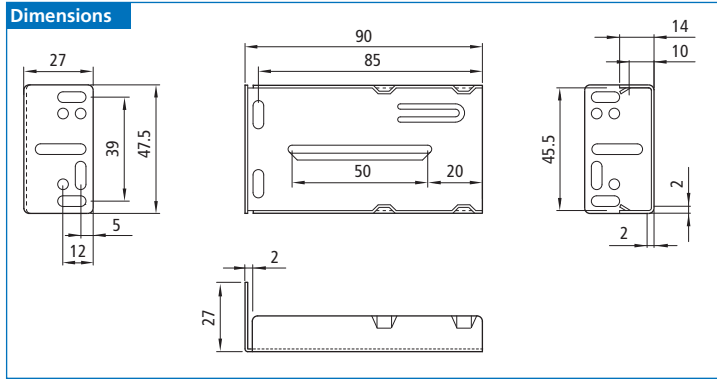


<b>Item Number</b>	<b>Face Frame Rear Mounting Bracket</b>
13159 02 271	Finish: Galvanized steel

## Dimensions



Item Number	Length		Travel		A		B		C		D		E	
	Inch	mm	Inch	mm	Inch	mm	Inch	mm	Inch	mm	Inch	mm	Inch	mm
09416 04 263	14	350	14-3/4	375	6-19/64	160					5-3/64	128	5-3/64	128
09416 04 264	16	400	16-23/32	425	6-19/64	160	3-25/32	96			5-3/64	128	6-19/64	160
09416 04 265	18	450	18-11/16	475	6-19/64	160	3-25/32	96			6-19/64	160	7-9/16	192
09416 04 266	20	500	20-21/32	525	8-13/16	224	3-25/32	96			7-9/16	192	7-9/16	192
09416 04 267	22	550	22-5/8	575	6-19/64	160	5-3/64	128	3-25/32	96	7-9/16	192	10-5/64	256



## Features

- ▶ Non-handed
- ▶ Suitable for slides with a profile height of: 1-49/64" (45 mm)
- ▶ Galvanized steel

Item Number	Face Frame Rear Mounting Bracket
13159 02 271	for 09416 04 2-Series (on page XX)