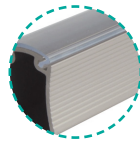
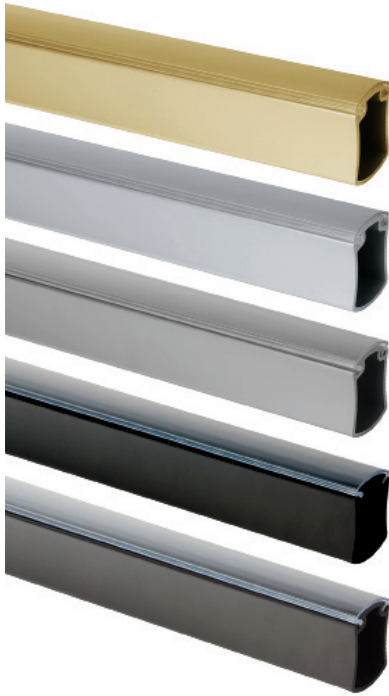
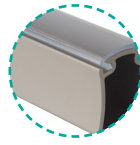


Aluminum Hourglass Closet Rods

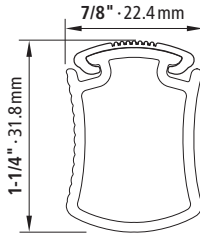


RIBBED SIDE



SMOOTH SIDE

Dimensions



Features

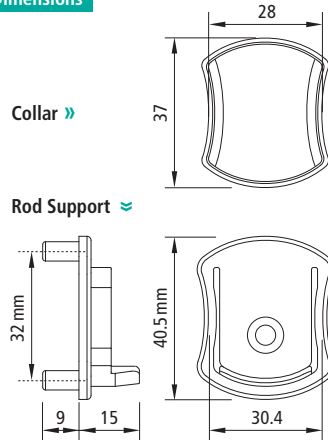
- ▶ Seamless
- ▶ Unique hourglass shape
- ▶ Reversible design – ribbed on one side & smooth on the other
- ▶ Protective clear strip on the top of the rod
- ▶ Locking collar secures rod in position
- ▶ Material thickness: 0.07" · 1.8 mm · 15-gauge
- ▶ Anodized finishes available: dull brass, dull chrome, dull nickel, matte black, & oil rubbed bronze

Item Number	Finish	Length		Dimensions H x W	
		Feet	m	Inch	mm
53525 47 051	Dull Brass	8	2.44	1-1/4 x 7/8	31.8 x 22.4
53525 48 052	Dull Chrome	8	2.44	1-1/4 x 7/8	31.8 x 22.4
53525 49 053	Dull Nickel	8	2.44	1-1/4 x 7/8	31.8 x 22.4
53525 51 054	Matte Black	8	2.44	1-1/4 x 7/8	31.8 x 22.4
53525 53 055	Oil Rubbed Bronze	8	2.44	1-1/4 x 7/8	31.8 x 22.4

Supports for Aluminum Hourglass Closet Rods



Dimensions



Features

- ▶ Hole for fixing screw
- ▶ Clean appearance—as it covers the ends of a rod
- ▶ Easy repositioning for more flexibility
- ▶ 32 mm system with 5 mm pins

Pin Mount · Screws are included

Item Number	Finish	Type	Mount
54221 47 111	Dull Brass	2 Piece	5 mm pin
54221 48 112	Dull Chrome	2 Piece	5 mm pin
54221 49 113	Dull Nickel	2 Piece	5 mm pin
54221 51 114	Matte Black	2 Piece	5 mm pin
54221 53 115	Oil Rubbed Bronze	2 Piece	5 mm pin

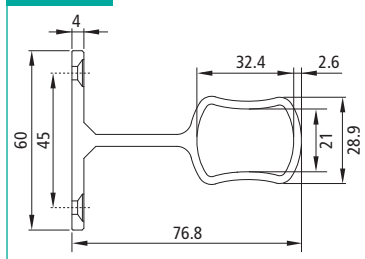
Installation

Insert the support's mounting base to a desired height. Cut the rod to fit the required length. Slide collars onto the ends of the closet rod. Place close rod onto the support's mounting base ① & slide collar ② over support mounting base to secure in place.

Center Supports for Aluminum Hourglass Closet Rods



Dimensions



Features

- ▶ Solid aluminum in 5 finishes

Screw Mount · Screws are included

Item Number	Finish	Type	Mount
54223 47 120	Dull Brass	closed	screw
54223 48 121	Dull Chrome	closed	screw
54223 49 122	Dull Nickel	closed	screw
54223 51 123	Matte Black	closed	screw
54223 53 124	Oil Rubbed Bronze	closed	screw