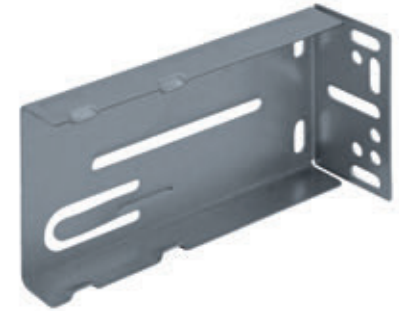
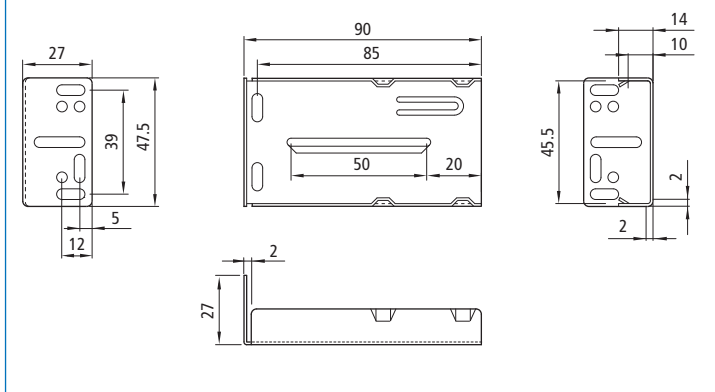


Dimensions



Item Number	Face Frame Rear Mounting Bracket
13159 02 271	Finish: Galvanized steel

Features

- ▶ Non-handed
- ▶ Allows the rear mounting of slides in cabinets with face frame
- ▶ Suitable for the medium-duty slide (page 12) with a profile height of: 1-49/64" (45 mm)