

Extended Concealed Brackets - Steel



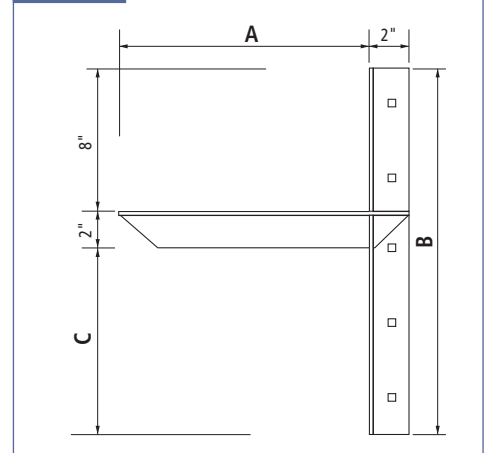
Features

- ▶▶ Steel construction
- ▶▶ Upper extension – above the support arm – along with thicker material provides superior strength
- ▶▶ Square mounting holes to lock bolt in place for single tool tightening
- ▶▶ Load capacity (per Pair): 2,320 lbs. – 7,350 lbs.
- ▶▶ Texture powder coated finishes: black & white
- ▶▶ Packaging: 2 brackets/box
 - One left-handed and one right-handed
- ▶▶ Available with 9", 12", 18", & 24" support arms
- ▶▶ Mounting bolts, nuts, lock & flat washers included (3/8" x 3")

Applications

- ▶▶ Counter tops
- ▶▶ Work surfaces
- ▶▶ Floating shelves
- ▶▶ Standard shelves
- ▶▶ ADA accessible
- ▶▶ Training rooms
- ▶▶ Benches

Dimensions



Item Number	A Support Arm		Height B		Height C		Load Rating (pair)		Finish
	Inch	mm	Inch	mm	Inch	mm	lbs.	kg	
72531 80 208	9	228	20	508	12	305	7,350	3,334	Black
72531 82 174	9	228	20	508	12	305	7,350	3,334	White
72531 80 209	12	305	20	508	12	305	3,100	1,407	Black
72531 82 175	12	305	20	508	12	305	3,100	1,407	White
72531 80 210	18	457	26	457	18	660	4,500	2,041	Black
72531 82 176	18	457	26	457	18	660	4,500	2,041	White
72531 80 211	24	609	26	457	18	660	2,320	1,053	Black
72531 82 177	24	609	26	457	18	660	2,320	1,053	White