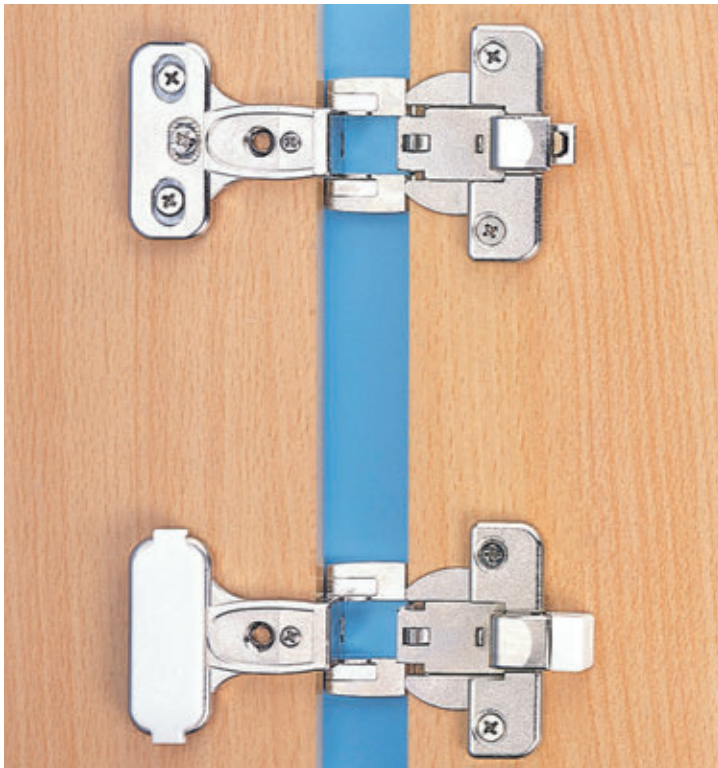


## 270° Semi-Concealed Hinge



### Features

- ▶▶ Clip-on door wing
- ▶▶ 270° door opening
- ▶▶ Spring loaded door catch
- ▶▶ Easy height adjustment
- ▶▶ Zinc diecast
- ▶▶ ANSI/BHMA compliant
- ▶▶ **Note:** for 5/8" overlay use 3 mm plastic spacer – which is included

### Applications

- ▶▶ Entertainment centers
- ▶▶ Wardrobe closets
- ▶▶ Office furniture

Thickness Door/Panel 3/4" (19 mm)

Item Number	Finish
24111 52 007	Nickel
24111 44 013*	Black Nickel
24111 55 011*	Brass
24111 41 006*	Antique Brass

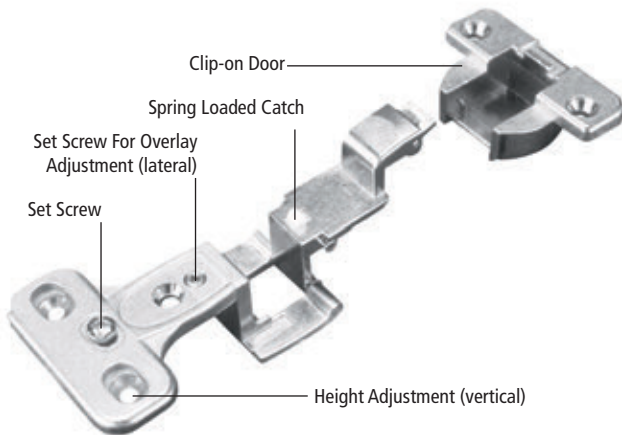
Available by special order

(minimum quantities may apply):

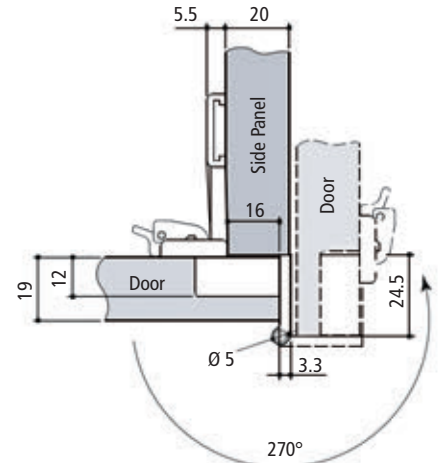
- ▶▶ 5/8" door (16 mm) / 3/4" panel (19 mm)

## INSTITUTIONAL HINGE APPLICATIONS

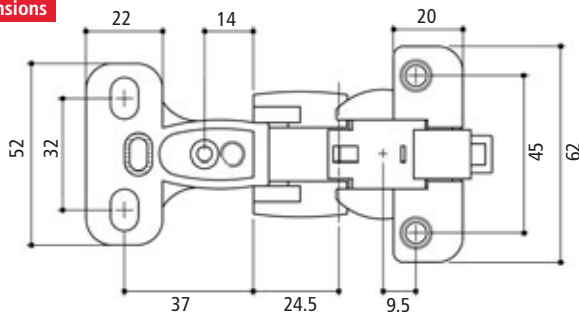
### Construction



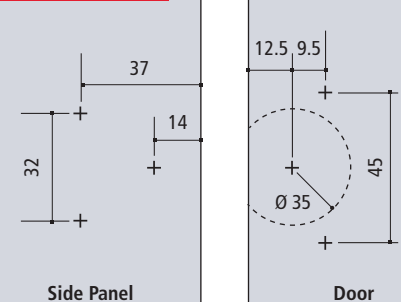
### Opening dimensions



### Dimensions



### Hole drilling pattern



\* – Special Order Only – call for current pricing, minimum order quantity, and lead-time.